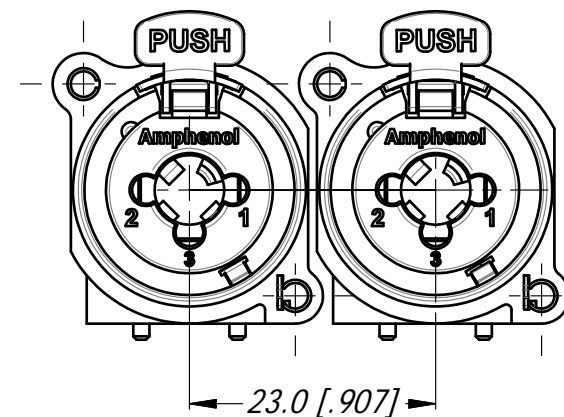
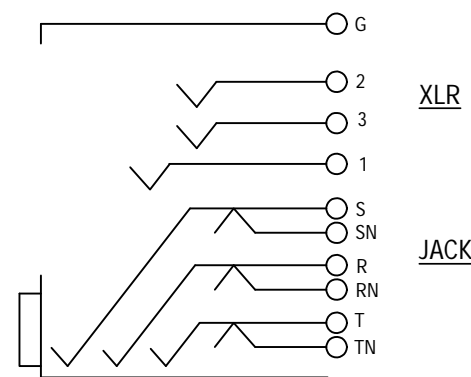


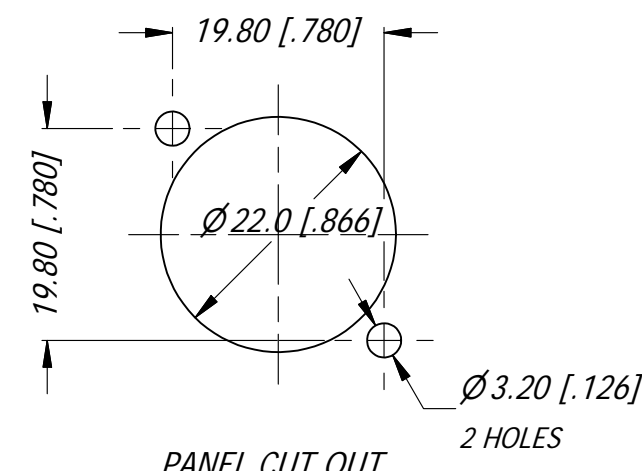
PCB LAYOUT
SCALE: 3:2



MIN MOUNTING PITCH



CONTACT SCHEMATIC DIAGRAM



UNLESS OTHERWISE SPECIFIED TOLERANCE TO BE	
LINEAR	ANGULAR
X ± 0.5	X' ± 1
X.X ± 0.1	X.X' ± 30'
X.XX ± 0.05	X.X'X' ± 15'
BREAK ALL SHARP EDGES AND REMOVE ALL BURRS	
DO NOT SCALE	
DIMENSIONS IN MILLIMETRES	

THIS DOCUMENT IS THE PROPERTY OF AMPHENOL AUSTRALIA PTY. LTD. NO PART THEREOF MAY BE REPRODUCED AND USED WITHOUT THE PRIOR WRITTEN CONSENT OF THE OWNER.

MATERIAL:	DRN: T.N	DATE: 09/07/14
FINISH:	CKD: P.M	DATE: 09/07/14
THIRD ANGLE PROJECTION	APP'D: P.M	DATE: 09/07/14
	SCALE: 1:1	SIZE: A4

Amphenol

Amphenol Australia Pty.Ltd,
22 Industry Blvd, Carrum Downs, VIC 3173

TITLE:
**C TYPE LOW PROFILE
9 CONTACTS VERT
CUSTOMER DWG**

PART No:	REV
ACJC9AV2	2
DRAWING No.	SHEET
55011016-000	4 /16