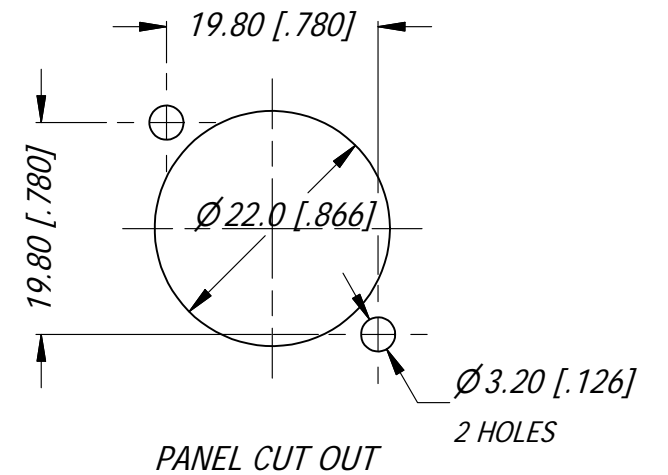
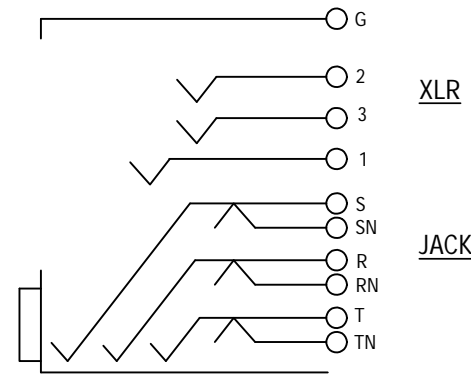


MIN MOUNTING PITCH



PCB LAYOUT
 SCALE: 3:2

UNLESS OTHERWISE SPECIFIED TOLERANCE TO BE	
LINEAR	ANGULAR
X ± 0.5	X' ± 1
X.X ± 0.1	X.X' ± 30'
X.XX ± 0.05	X.X'X' ± 15'
BREAK ALL SHARP EDGES AND REMOVE ALL BURRS	
DO NOT SCALE	
DIMENSIONS IN MILLIMETRES	

THIS DOCUMENT IS THE PROPERTY OF AMPHENOL AUSTRALIA PTY. LTD. NO PART THEREOF MAY BE REPRODUCED AND USED WITHOUT THE PRIOR WRITTEN CONSENT OF THE OWNER.

MATERIAL:	DRN: T.N	DATE: 09/07/14
FINISH:	CKD: P.M	DATE: 09/07/14
	APP'D: P.M	DATE: 09/07/14
	SCALE: 1:1	SIZE: A4

Amphenol

Amphenol Australia Pty.Ltd,
 22 Industry Blvd, Carrum Downs, VIC 3173

TITLE:
**C TYPE LOW PROFILE
 9 CTS NON LATCH
 VERT - CUSTOMER DWG**

PART No:	REV
ACJC9AV2L	2
DRAWING No.	SHEET
55011016-000	12/16