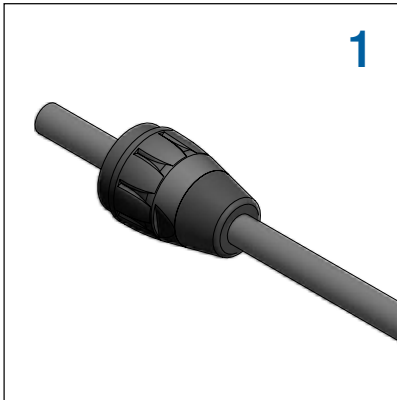


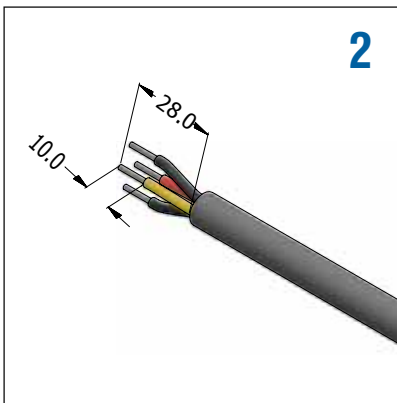
PI 1070 ASSEMBLY INSTRUCTIONS

SP SERIES CABLE CONNECTOR



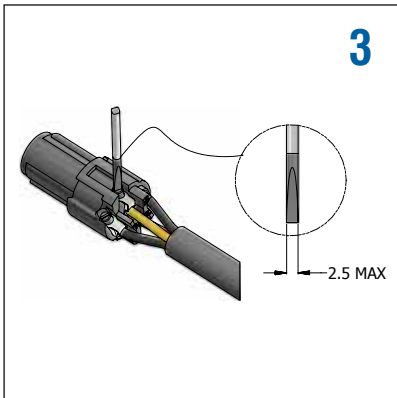
1

Slide the nut onto the cable



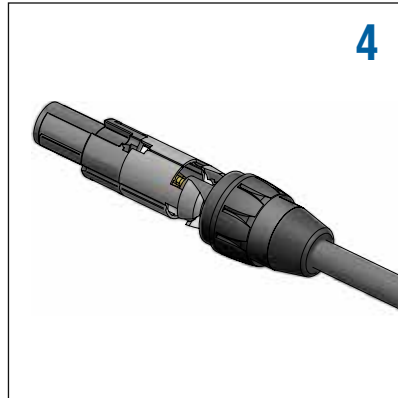
2

Strip the cable and twist the conductors.



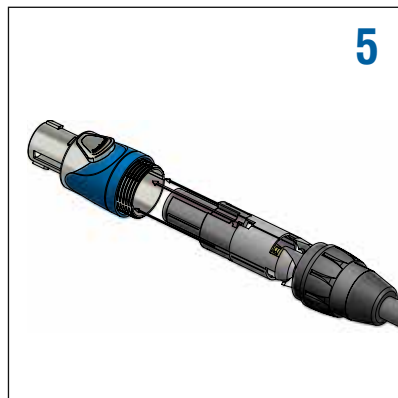
3

Insert the conductors into the rear of contacts on the insert. Tighten the screws to 0.35Nm (3.0 lb-in) using a flat screwdriver with tip width of 2.5mm max.



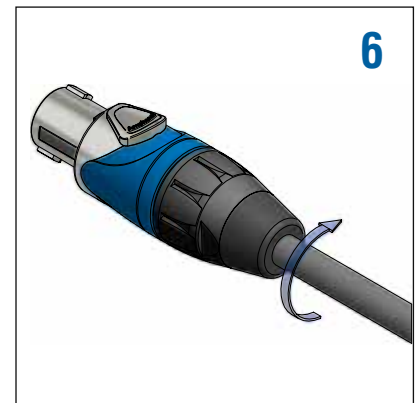
4

Install the cable clamp, flush to the insert making sure to align the slot as shown in the picture.



5

Orientate the insert and cable clamp as shown then push all together into the shell.



6

Thread the nut onto the shell to activate the cable clamp and close the connector assembly.