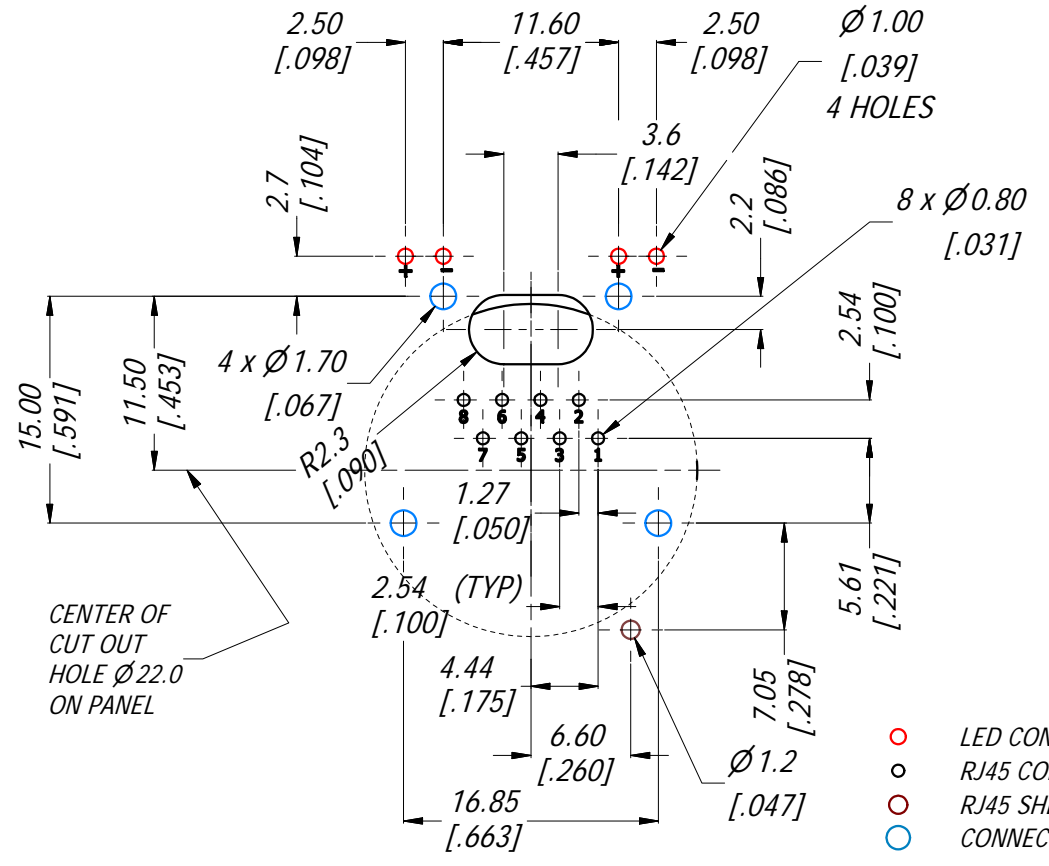
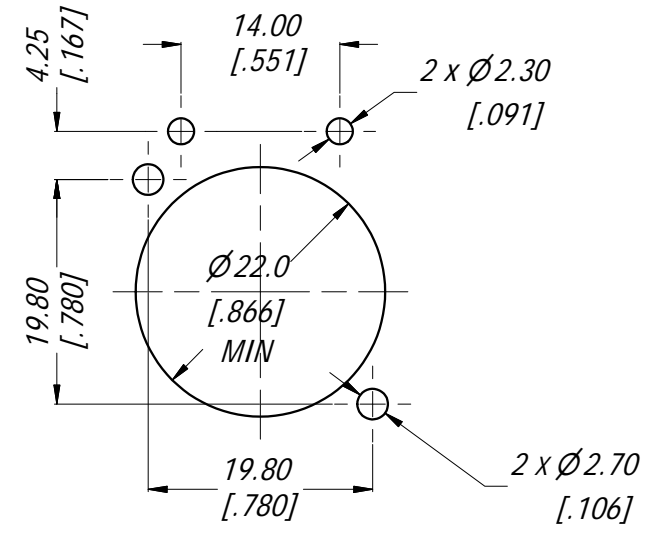


TABLE OF PART NUMBERS

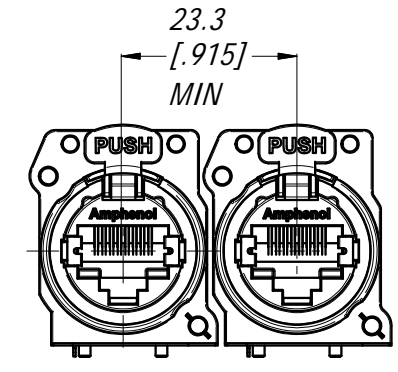
PART No.		
METAL FRONT SHELL FINISH	LED COLOR	
NICKEL	LEFT	RIGHT
RJX8FB5VRGB	RED	GREEN
RJX8FB5VRYB	RED	YELLOW
RJX8FB5VRRB	RED	RED
RJX8FB5VGRB	GREEN	RED
RJX8FB5VGYB	GREEN	YELLOW
RJX8FB5VGGB	GREEN	GREEN
RJX8FB5VYRB	YELLOW	RED
RJX8FB5VYYB	YELLOW	YELLOW
RJX8FB5VYGB	YELLOW	GREEN
RJX8FB5VUUB	BLUE	BLUE



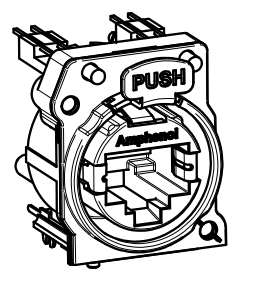
PCB LAYOUT
2:1
(CONNECTOR REAR VIEW)



PANEL CUT OUT
3:2
(CONNECTOR FRONT VIEW)



MIN MOUNTING PITCH
1:1



3D VIEW
1:1

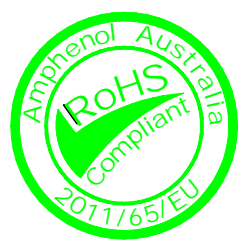
- LED CONDUCTORS
- RJ45 CONTACTS
- RJ45 SHELL GROUND CONTACT
- CONNECTOR LOCATION PINS

SPECIFICATIONS:

- MATERIALS:
 - PLASTIC INSERT & HOUSING: HIGH TEMPERATURE THERMOPLASTIC FLAMMABILITY RATING UL94V-0 DSM Stanyl, 30% BLACK
 - FRONT METAL SHELL: ZINC ALLOY ZAMAK 3, NICKEL PLATE (B TYPE).
 - CONTACTS: PHOSPHORE BRONZE, 1.27 um GOLD PLATE ON MATING SURFACES, 1.27 um NICKEL MIN UNDERPLATE. 3.81 um MIN MATTE TIN ON CONTACT TAILS.
 - LATCH LOCK AND SPRING: SPRING STEEL, NICKEL PLATE.
- ELECTRICAL CHARACTERISTICS:
 - RATED VOLTAGE: 125 VAC
 - TYPICAL CONTACT RESISTANCE: 20 mOhm
 - INSULATION RESISTANCE: >500 MOhm
 - DIELECTRIC STRENGTH: 1000 VAC, 60 SECONDS
 - TRANSMISSION SPECIFICATION/CLASS: COMPLIES WITH CAT5e 1000 BASE-T PER EIA-568-C.2
 - PoE+ COMPLIES WITH 802.3at Type 2 (SEE PSE PINOUT ALTERNATIVE TABLE)

PSE PINOUT ALTERNATIVES

CONDUCTOR	Alternative-A (MDI-X)	Alternative-A (MDI)	Alternative-A (AII)
1	Negative V _{PSE}	Positive V _{PSE}	
2	Negative V _{PSE}	Positive V _{PSE}	
3	Positive V _{PSE}	Negative V _{PSE}	
4			Positive V _{PSE}
5			Positive V _{PSE}
6	Positive V _{PSE}	Negative V _{PSE}	
7			Negative V _{PSE}
8			Negative V _{PSE}



UNLESS OTHERWISE SPECIFIED TOLERANCE TO BE		THIS DOCUMENT IS THE PROPERTY OF AMPHENOL AUSTRALIA PTY. LTD. NO PART THEREOF MAY BE REPRODUCED AND USED WITHOUT THE PRIOR WRITTEN CONSENT OF THE OWNER.		Amphenol		Amphenol Australia Pty.Ltd, 22 Industry Blvd, Carrum Downs VIC 3201 Australia	
LINEAR X ± 0.5 X.X ± 0.1 X.X ± 0.05	ANGULAR X' ± 1 X.X' ± 30' X.X'X' ± 15'	MATERIAL: REFER SPECIFICATION	DRN: T.N	DATE: 10/02/14	TITLE: XLRnet CONNECTOR VERTICAL LED WITHOUT EMI SHIELD	PART No: REFER TO TABLE OF PART NUMBERS	REV 1
DO NOT SCALE		FINISH:	APP'D: P.M	DATE: 10/02/14	DRAWING No. 55010955-000		SHEET 4/6
DIMENSIONS IN MILLIMETRES		THIRD ANGLE PROJECTION	SCALE: 3:2	SIZE: A3			