

6 5 4 3 2 1

F E D C B A

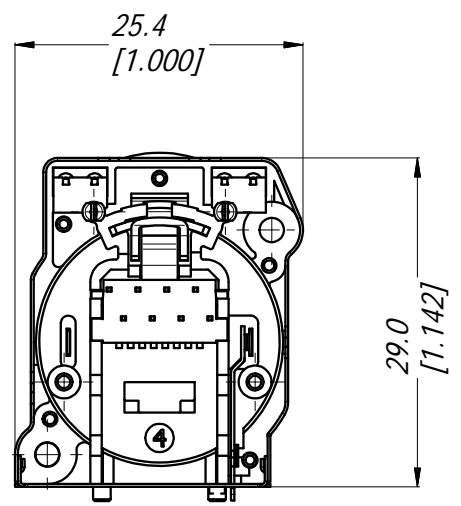
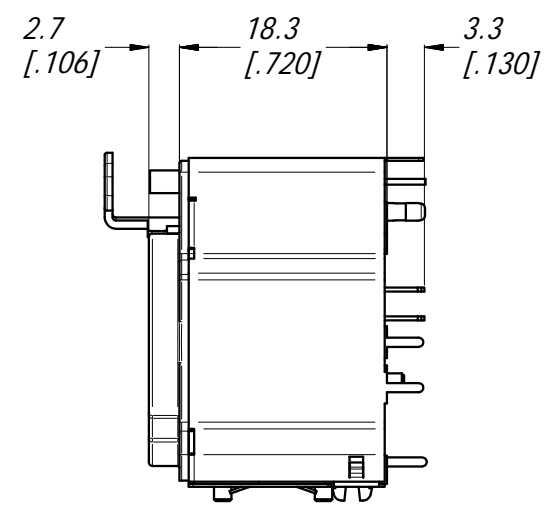
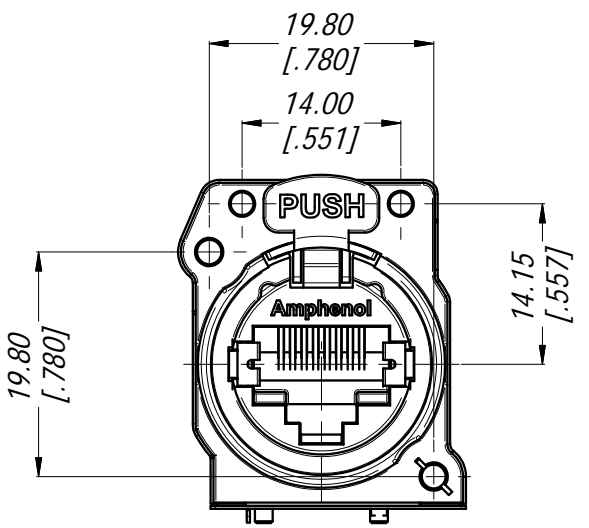
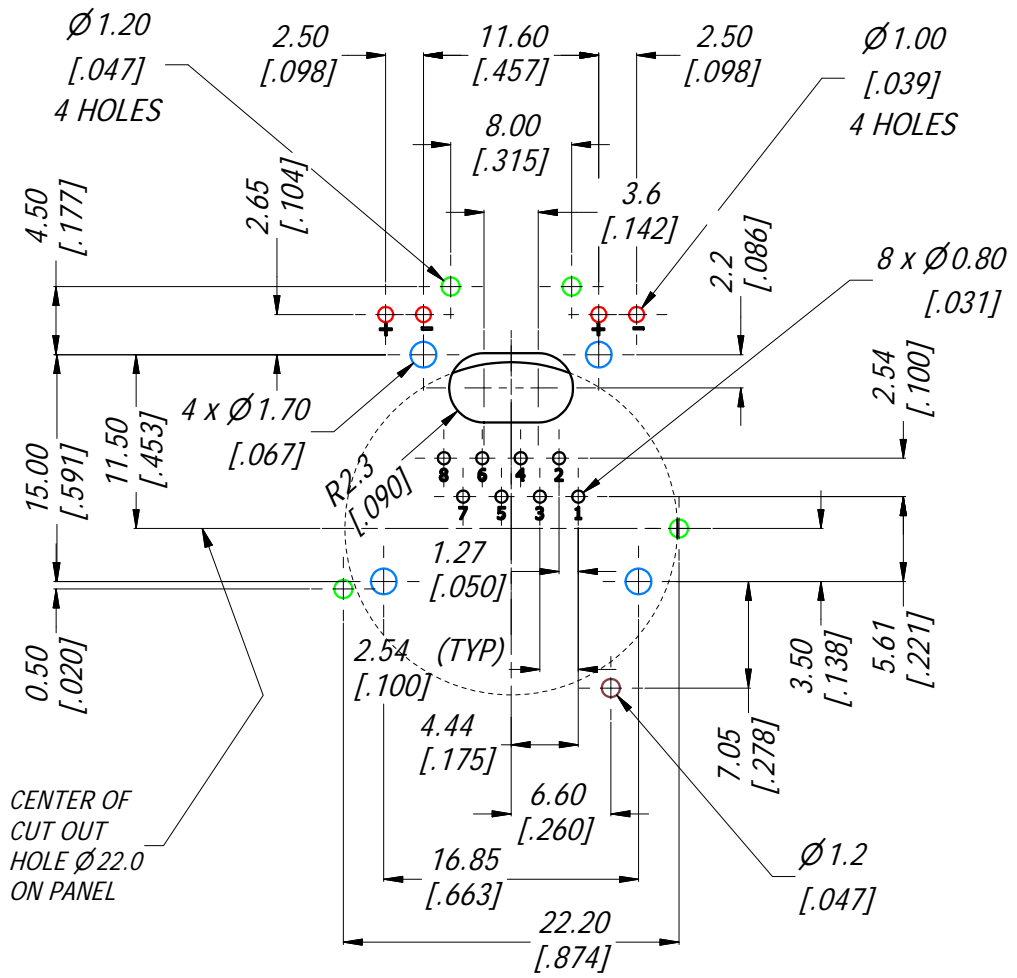
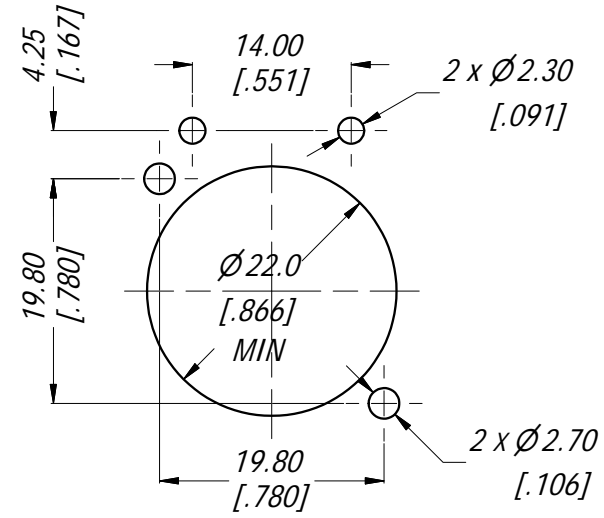


TABLE OF PART NUMBERS

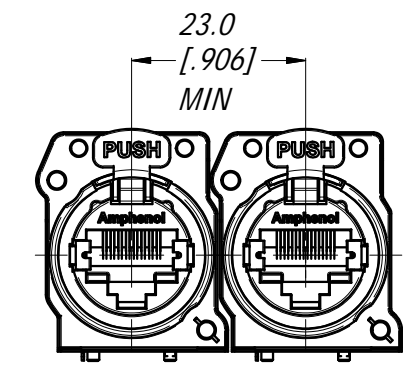
METAL FRONT SHELL FINISH	LED COLOR	
	LEFT	RIGHT
RJX8FB5VRGEB	RED	GREEN
RJX8FB5VRYEB	RED	YELLOW
RJX8FB5VRREB	RED	RED
RJX8FB5VGREB	GREEN	RED
RJX8FB5VGYEB	GREEN	YELLOW
RJX8FB5VGGEB	GREEN	GREEN
RJX8FB5VYREB	YELLOW	RED
RJX8FB5VYYEB	YELLOW	YELLOW
RJX8FB5VYGEB	YELLOW	GREEN
RJX8FB5VUUEB	BLUE	BLUE



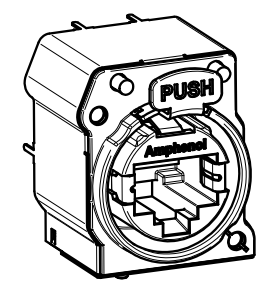
PCB LAYOUT
2:1
(CONNECTOR REAR VIEW)



PANEL CUT OUT
3:2
(CONNECTOR FRONT VIEW)



MIN MOUNTING PITCH
1:1



3D VIEW
1:1

- LED CONDUCTORS
- RJ45 CONTACTS
- RJ45 SHELL GROUND CONTACT
- SHIELD BOX LEGS
- CONNECTOR LOCATION PINS

SPECIFICATIONS:

1. MATERIALS:

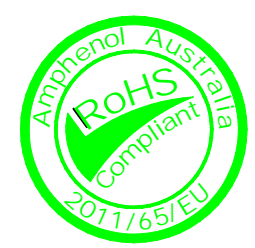
- PLASTIC INSERT & HOUSING: HIGH TEMPERATURE THERMOPLASTIC FLAMMABILITY RATING UL94V-0 DSM Stanyl, 30% BLACK
- FRONT METAL SHELL: ZINC ALLOY ZAMAK 3, NICKEL PLATE (B TYPE).
- CONTACTS: PHOSPHORE BRONZE, 1.27 um GOLD PLATE ON MATING SURFACES, 1.27 um NICKEL MIN UNDERPLATE. 3.81 um MIN MATTE TIN ON CONTACT TAILS.
- LATCH LOCK AND SPRING: SPRING STEEL, NICKEL PLATE.
- EMI/RFI HOOD: BRASS, TIN PLATE.

2. ELECTRICAL CHARACTERISTICS:

- RATED VOLTAGE: 125 VAC
- TYPICAL CONTACT RESISTANCE: 20 mOhm
- INSULATION RESISTANCE: >500 MOhm
- DIELECTRIC STRENGTH: 1000 VAC, 60 SECONDS
- TRANSMISSION SPECIFICATION/CLASS: COMPLIES WITH CAT5e 1000 BASE-T PER EIA-568-C.2
- PoE+ COMPLIES WITH 802.3at Type 2 (SEE PSE PINOUT ALTERNATIVE TABLE)

PSE PINOUT ALTERNATIVES

CONDUCTOR	Alternative-A (MDI-X)	Alternative-A (MDI)	Alternative-A (All)
1	Negative V _{PSE}	Positive V _{PSE}	
2	Negative V _{PSE}	Positive V _{PSE}	
3	Positive V _{PSE}	Negative V _{PSE}	
4			Positive V _{PSE}
5			Positive V _{PSE}
6	Positive V _{PSE}	Negative V _{PSE}	
7			Negative V _{PSE}
8			Negative V _{PSE}



UNLESS OTHERWISE SPECIFIED TOLERANCE TO BE		THIS DOCUMENT IS THE PROPERTY OF AMPHENOL AUSTRALIA PTY. LTD. NO PART THEREOF MAY BE REPRODUCED AND USED WITHOUT THE PRIOR WRITTEN CONSENT OF THE OWNER.			
LINEAR	ANGULAR	MATERIAL:	DRN:	T.N	DATE: 05/02/14
X ± 0.5	X' ± 1	REFER SPECIFICATION	CKD:	P.M	DATE: 05/02/14
X.X ± 0.1	X.X' ± 30'				
X.X ± 0.05	X.X' ± 15'	FINISH:	APP'D:	P.M	DATE: 05/02/14
BREAK ALL SHARP EDGES AND REMOVE ALL BURRS		DO NOT SCALE	SCALE: 3:2		
DIMENSIONS IN MILLIMETRES		THIRD ANGLE PROJECTION		SIZE: A3	

Amphenol Amphenol Australia Pty.Ltd, 22 Industry Blvd, Carrum Downs VIC 3201 Australia

TITLE: **XLRnet CONNECTOR VERTICAL CAT5e CUSTOMER DRAWING**

PART No: **REFER TO TABLE OF PART NUMBERS**

REV: **1**

DRAWING No. **55010955-000**

SHEET **3/6**

6 5 4 3 2 1

F E D C B A