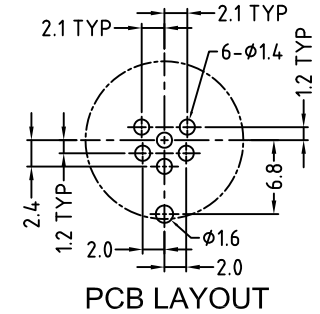
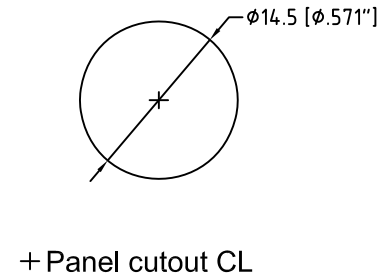
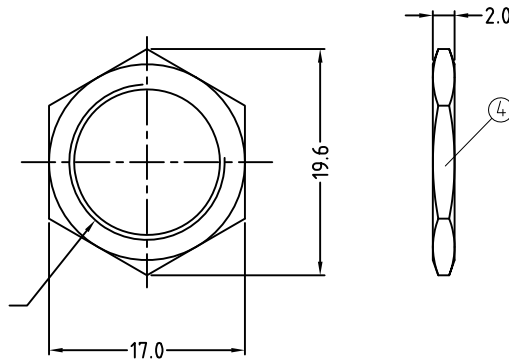
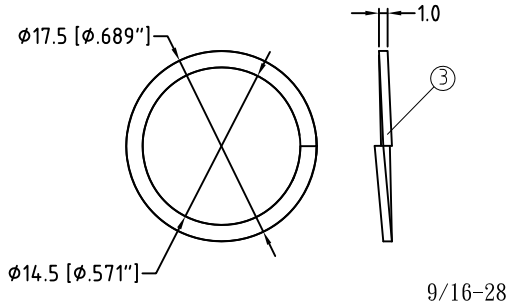
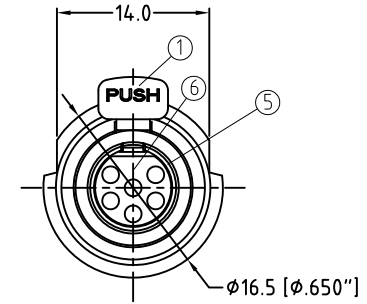
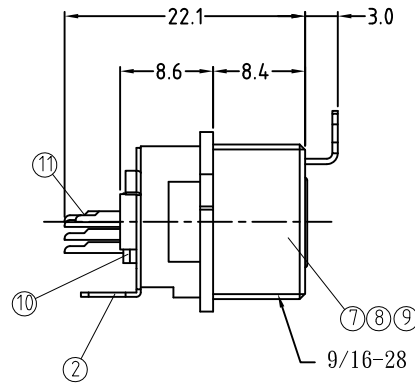


ISO VIEW



11	SOCKET CONTACTS	Brass/Au Plated	6
10	SPRING WASHER	PPS/Black	1
9	SPRING	SUS 304/Ni Plated	1
8	LATCH SPRING	SUS 304/Ni Plated	1
7	MACHINED SHELL	Brass/Ni Plated	1
6	INSULATOR	PPS/Black	1
5	MACHINED SHELL	Brass/Ni Plated	1
4	METAL NUT	Brass/Ni Plated	1
3	SPRING WASHER	SUS 304/Ni Plated	1
2	GROUND CONTACT	Brass/Ni Plated	1
1	PUSH LEVEL	Brass/Ni Plated	1
ITEM	DESCRIPTION	MATERIAL/FINISH	QTY

Specification:

Electrical:

Contact resistance: <0.03 ohm
 Insulation resistance: >500Megaohm
 Dielectric strength: 250VDC
 Rated current: 1.5A

Mechanical:

Lifetime: Insert & withdraw >5000 cycle
 Insertion/withdrawal 10lb Max.

UNLESS OTHERWISE SPECIFIED TOLERANCE TO BE		THIS DOCUMENT IS THE PROPERTY OF AMPHENOL AUSTRALIA PTY. LTD. NO PART THEREOF MAY BE REPRODUCED AND USED WITHOUT THE PRIOR WRITTEN CONSENT OF THE OWNER				1	CORRECT DIMENSIONS OF THE NUT TO 17mm & 19.6mm CHANGE TO MEET RAW MATERIAL SIZES	M.H	25-07-17	9445
LINEAR	ANGULAR	CAD FILE: 55010861300111		DRN: M.H	DATE: 09-10-12	0	FIRST ISSUE	M.H	09-10-12	----
X ± 0.50	X° ± 1°	MATERIAL: SEE TABLE		CKD: M.H	DATE: 25-07-17	REV.	CHANGE DETAILS	BY	DATE	CHG/No
X.X ± 0.25	X°X' ± 30'	DO NOT SCALE		FINISH: SEE TABLE	APP'D: P.M	TITLE: MINI XLR FEMALE RECEPTACLE CUSTOMER DWG		22 Industry Boulevard, Carrum Downs, Vic 3201		
X.XX ± 0.10	X°X'X" ± 15"	THIRD ANGLE PROJECTION		SCALE: 2:1 UDS	PART No: AG6FCE	DRAWING NO. 55010861-300-1		SHEET 1 of 1		