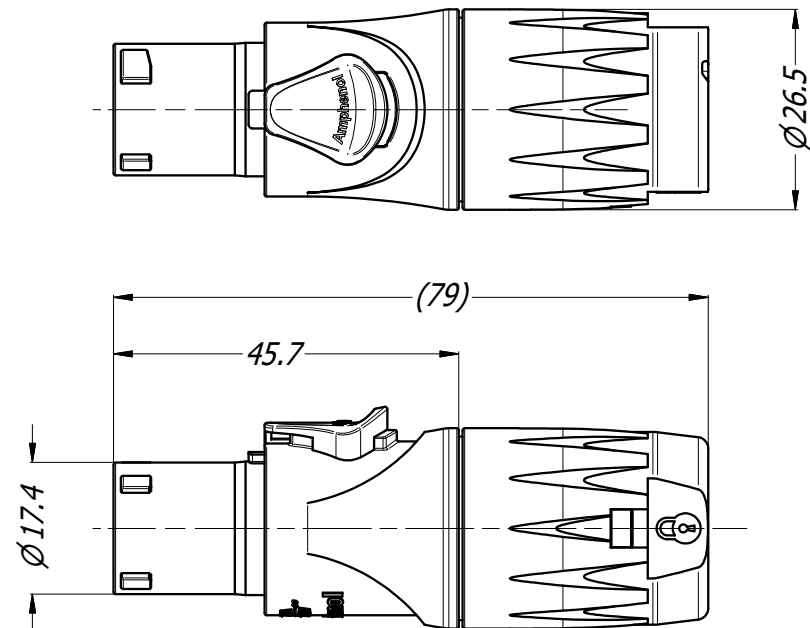
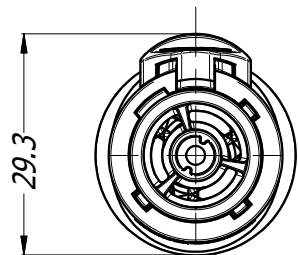


3D VIEW
3:4



PATENTS AND APPLICATONS :

- US 10186804
- US D840341
- US 10823914B2
- EP 3514892B1
- JP 6705027B2
- DE 102018101431A1
- HK 40009428A
- CN 110071397A
- EP 3641070A1

- NOTES:**
1. CABLE OD RANGE:
- BIG GROMMET: 9.0 -12.0 MM OD
- SMALL GROMMET: 6.0- 9.0 MM OD
 2. BACKSHELL TORQUE: 3.1 Nm

UNLESS OTHERWISE SPECIFIED TOLERANCE TO BE		THIS DOCUMENT IS THE PROPERTY OF AMPHENOL AUSTRALIA PTY. LTD. NO PART THEREOF MAY BE REPRODUCED AND USED WITHOUT THE PRIOR WRITTEN CONSENT OF THE OWNER.				Amphenol Amphenol Australia Pty.Ltd, 22 Industry Blvd, Carrum Downs VIC 3201	
LINEAR	ANGULAR	MATERIAL:	DRN:	T.N	DATE:	26/07/19	TITLE:
X ± 0.5	X' ± 1		CKD:	P.M	DATE:	26/07/19	CABLE CONNECTOR FEMALE HPT SERIES
X.X ± 0.1	X.X' ± 30'	DO NOT SCALE	APP'D:	P.M	DATE:	26/07/19	CABLE OD 6.0-12.0mm
X.X ± 0.05	X.X' " ± 15'		FINISH:	SCALE:	1:1	SIZE:	A4
BREAK ALL SHARP EDGES AND REMOVE ALL BURRS		THIRD ANGLE PROJECTION		PART No:		REV	
DIMENSIONS IN MILLIMETRES		DRAWING No.		HPT-3-F		4	
		SHEET		55011198-000-2		2/2	