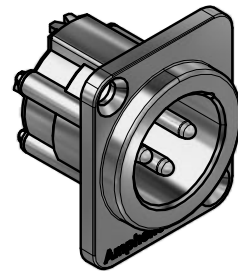
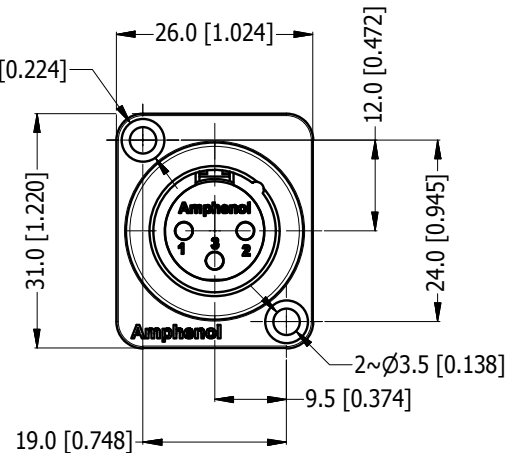
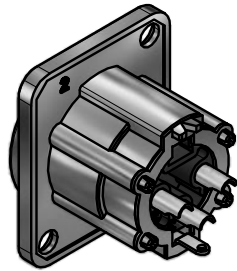


LEGEND = KEY PRODUCT CHARACTERISTICS

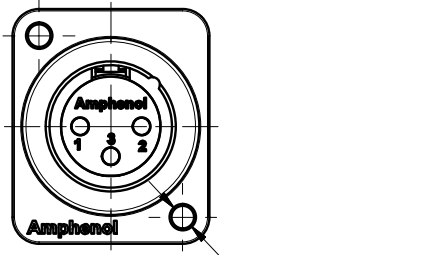
REVISION HISTORY				
REV	DESCRIPTION	DATE	BY	ECN
1	FIRST ISSUE	01/02/19	MH	----



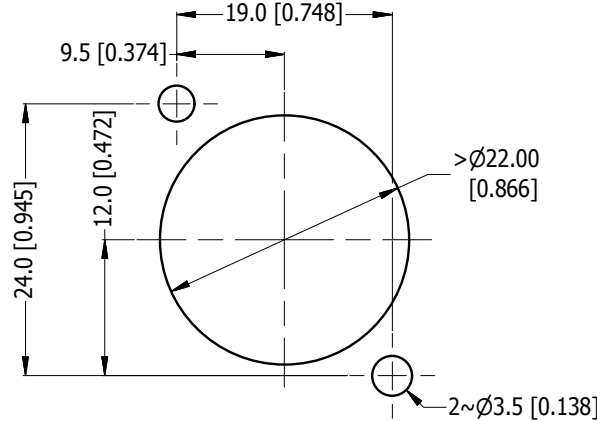
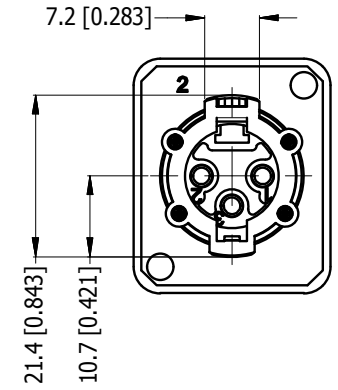
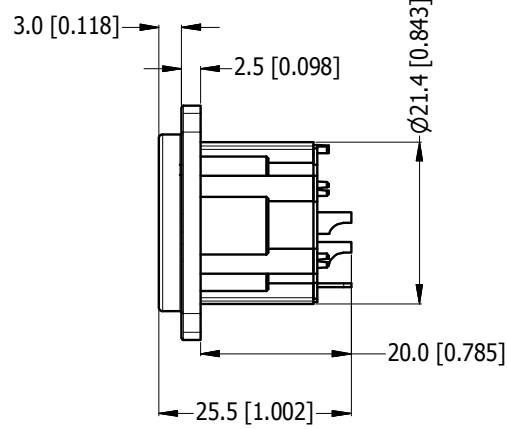
3D VIEW (1:1)



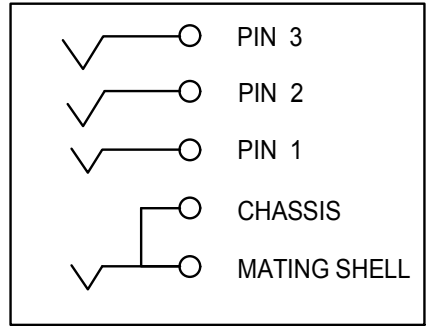
**THROUGH HOLE**



**M3 THREAD OPTION**



**PANEL CUT OUT**  
(SCALE 2:1)



**SCHEMATIC CHART**

PART NUMBER	SHELL FINISH	PIN CONTACT FINISH
AX3MD	NICKEL PLATED	SILVER PLATED
AX3MDB	MATT BLACK COATING	SILVER PLATED
AX3MD-M3	M3 THREAD - NICKEL PLATED	SILVER PLATED
AX3MDB-M3	M3 THREAD - MATT BLACK COATING	SILVER PLATED
AX3MD-AU	NICKEL PLATED	GOLD PLATED
AX3MDB-AU	MATT BLACK COATING	GOLD PLATED
AX3MD-AU-M3	M3 THREAD - NICKEL PLATED	GOLD PLATED
AX3MDB-AU-M3	M3 THREAD - MATT BLACK COATING	GOLD PLATED

UNLESS OTHERWISE SPECIFIED TOLERANCE TO BE	
LINEAR	ANGULAR
X ± 0.5	X' ± 1
X.X ± 0.1	X.X' ± 30'
X.XX ± 0.1	X.XX" ± 15'
BREAK ALL SHARP EDGES AND REMOVE ALL BURRS	
DO NOT SCALE	

THIS DOCUMENT IS THE PROPERTY OF AMPHENOL AUSTRALIA PTY. LTD.  
NO PART THEREOF MAY BE REPRODUCED AND USED WITHOUT THE PRIOR WRITTEN CONSENT OF THE OWNER

MATERIAL: **SEE COMPONENT**

DRN: M.H DATE: 01/04/14  
CKD: M.H DATE: 01/02/19  
APP'D: P.M DATE: 01/02/19

FINISH: **SEE COMPONENT**

SCALE: **1:1** SIZE: **A4**

**Amphenol** Amphenol Australia Pty.Ltd, 22 Industry Boulevard, Carrum Downs, VIC 3201

TITLE: **AX3MD D-TYPE AX PANEL MOUNT CUSTOMER DWG**

PART No. **SEE TABLE**

DRAWING No. **55010999-100-2** SHEET **2/2**

CAD FILE 55010999100111

DIMENSIONS IN MILLIMETRES

