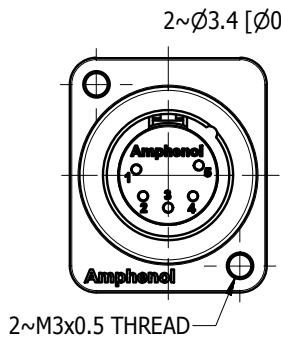


LEGEND = KEY PRODUCT CHARACTERISTICS

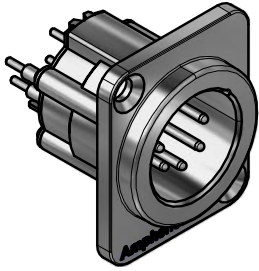
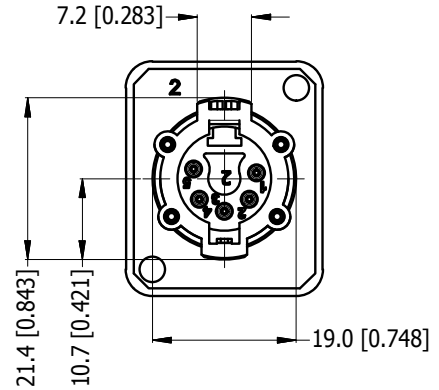
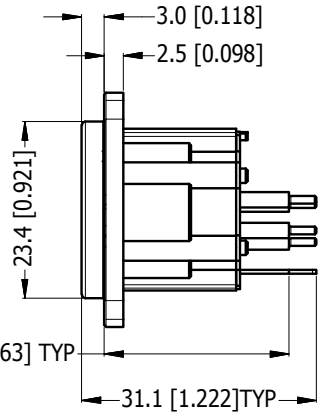
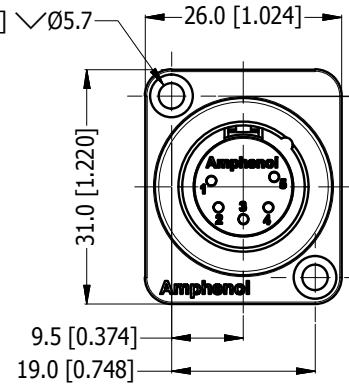
| REVISION HISTORY |             |          |    |      |
|------------------|-------------|----------|----|------|
| REV              | DESCRIPTION | DATE     | BY | ECN  |
| 1                | FIRST ISSUE | 01/02/19 | MH | ---- |



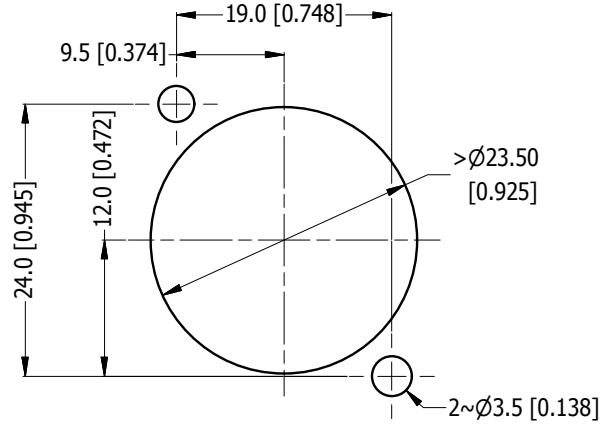
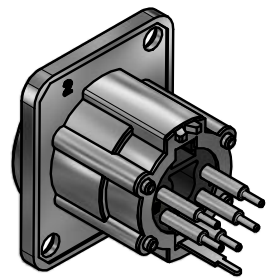
**M3 THREAD OPTION**



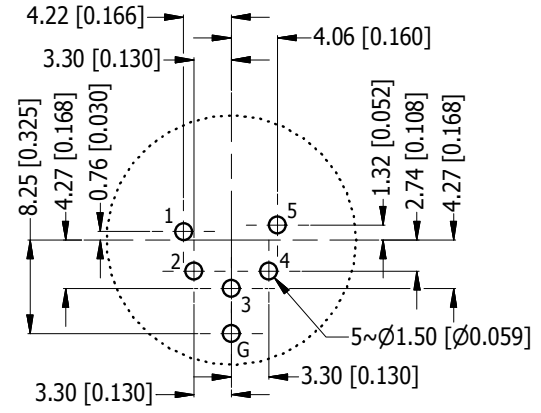
**THROUGH HOLE**



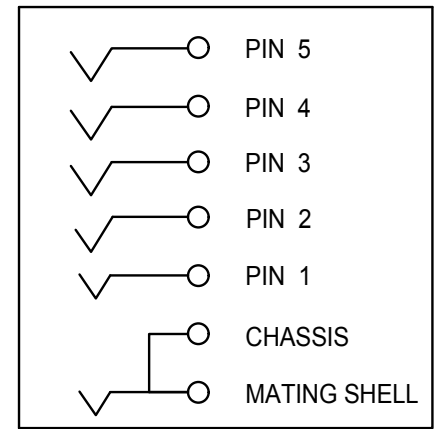
**3D VIEW (1:1)**



**PANEL CUT OUT - REAR MOUNT (SCALE 2:1)**



**PCB LAYOUT**



**SCHEMATIC CHART**

| PART NUMBER  | SHELL FINISH       | PIN CONTACT FINISH |
|--------------|--------------------|--------------------|
| AX5MDV       | NICKEL PLATED      | SILVER PLATED      |
| AX5MDV-M3    | NICKEL PLATED      | SILVER PLATED      |
| AX5MDVB      | MATT BLACK COATING | SILVER PLATED      |
| AX5MDVB-M3   | MATT BLACK COATING | SILVER PLATED      |
| AX5MDV-AU    | NICKEL PLATED      | GOLD PLATED        |
| AX5MDV-AU-M3 | NICKEL PLATED      | GOLD PLATED        |
| AX5MDVB-AU   | MATT BLACK COATING | GOLD PLATED        |
| AX5DVB-AU-M3 | MATT BLACK COATING | GOLD PLATED        |

|  |             |   |  |                          |                 |
|--|-------------|---|--|--------------------------|-----------------|
| UNLESS OTHERWISE SPECIFIED TOLERANCE TO BE |             | THIS DOCUMENT IS THE PROPERTY OF AMPHENOL AUSTRALIA PTY. LTD. NO PART THEREOF MAY BE REPRODUCED AND USED WITHOUT THE PRIOR WRITTEN CONSENT OF THE OWNER |  |                          |                 |
| LINEAR                                     |             | MATERIAL: <b>SEE COMPONENT</b>  |  | DRN: M.H                 | DATE: 10/11/17  |
| ANGULAR                                    |             | FINISH: <b>SEE COMPONENT</b>  |  | CKD: M.H                 | DATE: 01/02/19  |
| X ± 0.5                                    | X' ± 1      | DO NOT SCALE  |  | APP'D: P.M               | DATE: 01/02/19  |
| X.X ± 0.1                                  | X.X' ± 30'  | DIMENSIONS IN MILLIMETRES   |  | SCALE: <b>1:1</b>        | SIZE: <b>A4</b> |
| X.XX ± 0.1                                 | X.XX' ± 15' | THIRD ANGLE PROJECTION  |  | CAD FILE: 55011001131111 |                 |

**Amphenol** Amphenol Australia Pty.Ltd, 22 Industry Boulevard, Carrum Downs, VIC 3201

**AX5MDV D-TYPE AX PANEL MOUNT CUSTOMER DWG**

**SEE TABLE**

DRAWING No. **55011001-131-2** SHEET **2/2**