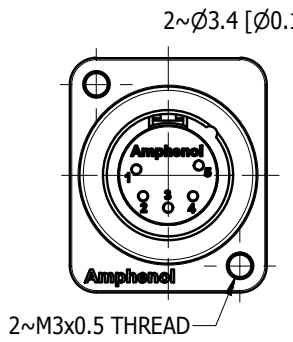


LEGEND = KEY PRODUCT CHARACTERISTICS

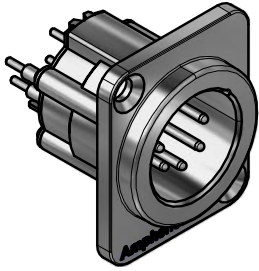
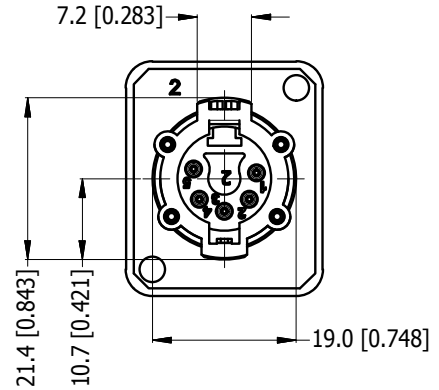
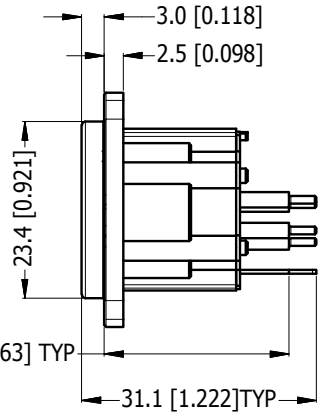
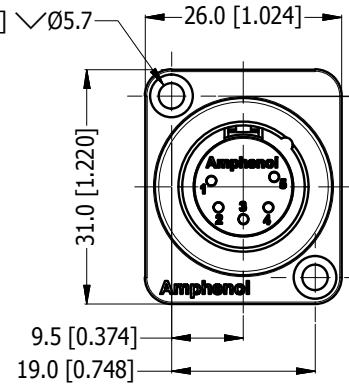
| REVISION HISTORY | | | | |
|------------------|-------------|----------|----|------|
| REV | DESCRIPTION | DATE | BY | ECN |
| 1 | FIRST ISSUE | 01/02/19 | MH | ---- |



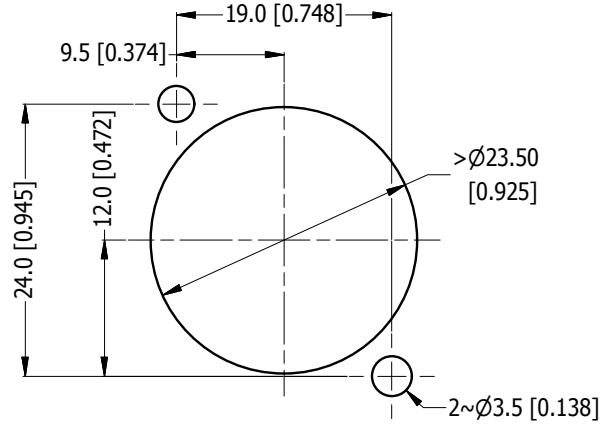
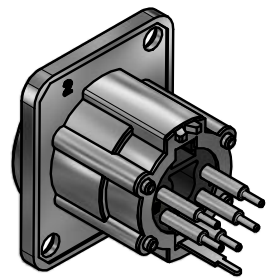
M3 THREAD OPTION



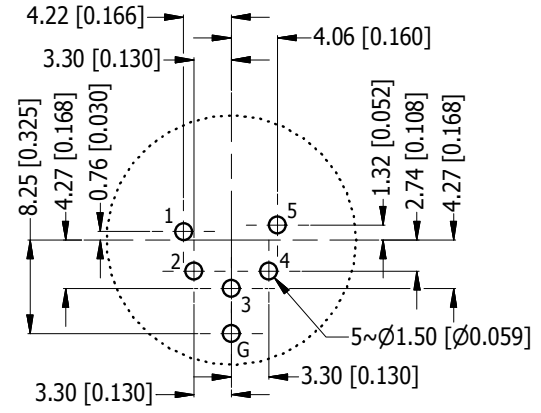
THROUGH HOLE



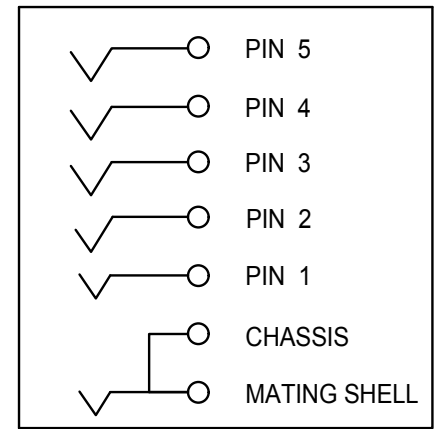
3D VIEW (1:1)



PANEL CUT OUT - REAR MOUNT (SCALE 2:1)



PCB LAYOUT



SCHEMATIC CHART

| PART NUMBER | SHELL FINISH | PIN CONTACT FINISH |
|--------------|--------------------|--------------------|
| AX5MDV | NICKEL PLATED | SILVER PLATED |
| AX5MDV-M3 | NICKEL PLATED | SILVER PLATED |
| AX5MDVB | MATT BLACK COATING | SILVER PLATED |
| AX5MDVB-M3 | MATT BLACK COATING | SILVER PLATED |
| AX5MDV-AU | NICKEL PLATED | GOLD PLATED |
| AX5MDV-AU-M3 | NICKEL PLATED | GOLD PLATED |
| AX5MDVB-AU | MATT BLACK COATING | GOLD PLATED |
| AX5DVB-AU-M3 | MATT BLACK COATING | GOLD PLATED |

| | | | | | |
|--|-------------|---|------------|------|-----------|
| UNLESS OTHERWISE SPECIFIED TOLERANCE TO BE | | THIS DOCUMENT IS THE PROPERTY OF AMPHENOL AUSTRALIA PTY. LTD. NO PART THEREOF MAY BE REPRODUCED AND USED WITHOUT THE PRIOR WRITTEN CONSENT OF THE OWNER | | | |
| LINER | ANGULAR | MATERIAL: | DRN: | M.H. | DATE: |
| X ± 0.5 | X' ± 1 | SEE COMPONENT | M.H. | | 10/11/17 |
| X.X ± 0.1 | X.X' ± 30' | FINISH: | CKD: | M.H. | DATE: |
| X.XX ± 0.1 | X.XX' ± 15' | SEE COMPONENT | P.M. | | 01/02/19 |
| BREAK ALL SHARP EDGES AND REMOVE ALL BURRS | | APP'D: | P.M. | | DATE: |
| DO NOT SCALE | | SCALE: | 1:1 | | SIZE: |
| DIMENSIONS IN MILLIMETRES | | THIRD ANGLE PROJECTION | | | A4 |

Amphenol Amphenol Australia Pty.Ltd, 22 Industry Boulevard, Carrum Downs, VIC 3201

| | | | |
|----------|--|-------------|-----------------------|
| TITLE: | AX5MDV D-TYPE AX PANEL MOUNT CUSTOMER DWG | PART No. | SEE TABLE |
| CAD FILE | 55011001131111 | DRAWING No. | 55011001-131-2 |
| | | SHEET | 2/2 |