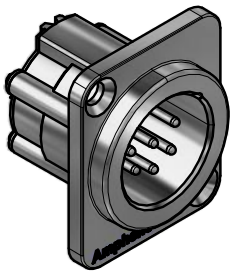
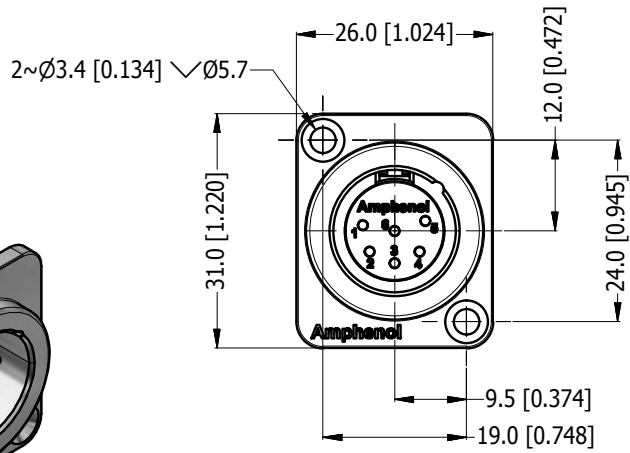


LEGEND = KEY PRODUCT CHARACTERISTICS

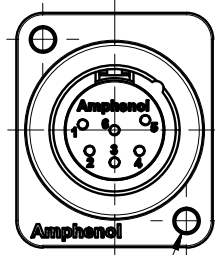
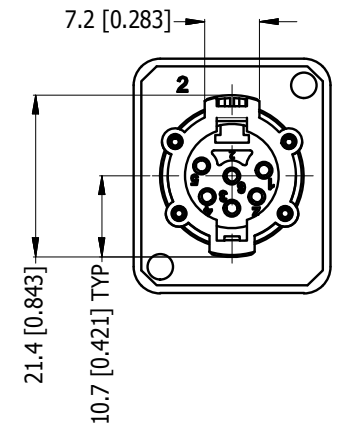
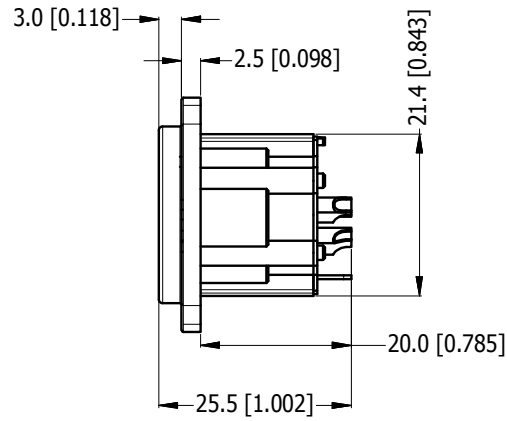
| REVISION HISTORY | | | | |
|------------------|-------------|----------|----|------|
| REV | DESCRIPTION | DATE | BY | ECN |
| 1 | FIRST ISSUE | 01/02/19 | MH | ---- |



3D VIEW (1:1)

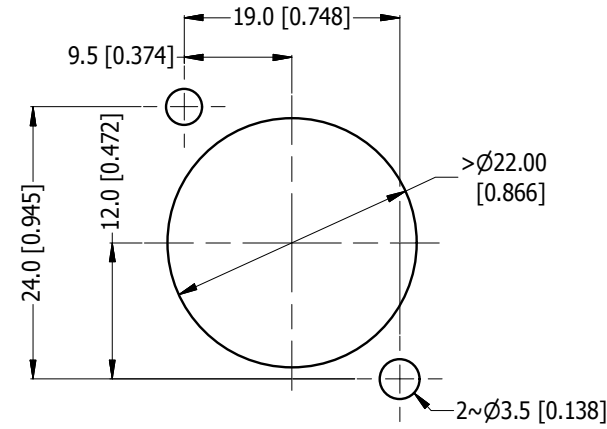


THROUGH HOLE

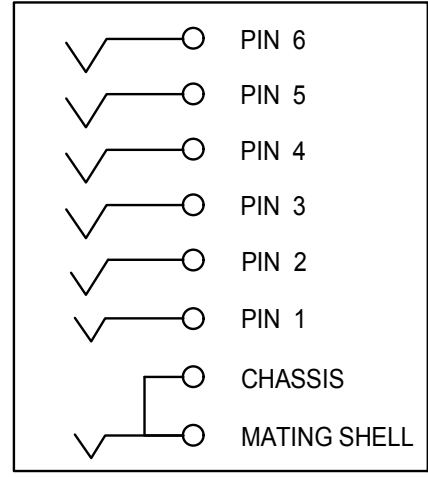


2~M3x0.5 THREAD

M3 THREAD OPTION



PANEL CUT OUT (SCALE 2:1)



SCHEMATIC CHART

| PART NUMBER | SHELL FINISH | PIN CONTACT FINISH |
|---------------|--------------------------------|--------------------|
| AX6AMD | NICKEL PLATED | SILVER PLATED |
| AX6AMDB | MATT BLACK COATING | SILVER PLATED |
| AX6AMD-M3 | M3 THREAD - NICKEL PLATED | SILVER PLATED |
| AX6AMDB-M3 | M3 THREAD - MATT BLACK COATING | SILVER PLATED |
| AX6AMD-AU | NICKEL PLATED | GOLD PLATED |
| AX6AMDB-AU | MATT BLACK COATING | GOLD PLATED |
| AX6AMD-AU-M3 | M3 THREAD - NICKEL PLATED | GOLD PLATED |
| AX6AMDB-AU-M3 | M3 THREAD - MATT BLACK COATING | GOLD PLATED |

| UNLESS OTHERWISE SPECIFIED TOLERANCE TO BE | |
|--|-------------|
| LINEAR | ANGULAR |
| X ± 0.5 | X' ± 1 |
| X.X ± 0.1 | X.X' ± 30' |
| X.XX ± 0.1 | X.XX" ± 15' |

BREAK ALL SHARP EDGES AND REMOVE ALL BURRS

DO NOT SCALE

THIS DOCUMENT IS THE PROPERTY OF AMPHENOL AUSTRALIA PTY. LTD. NO PART THEREOF MAY BE REPRODUCED AND USED WITHOUT THE PRIOR WRITTEN CONSENT OF THE OWNER

MATERIAL: **SEE COMPONENT**

DRN: M.H DATE: 01/02/19

CKD: M.H DATE: 01/02/19

APP'D: P.M DATE: 01/02/19

FINISH: **SEE COMPONENT**

SCALE: **1:1** SIZE: **A4**

Amphenol Amphenol Australia Pty.Ltd, 22 Industry Boulevard, Carrum Downs, VIC 3201

TITLE: **AX6AMD D-TYPE AX PANEL MOUNT CUSTOMER DWG**

PART No. **SEE TABLE**

DRAWING No. **55011344-100-2** SHEET **2/2**

CAD FILE 55011344100111

DIMENSIONS IN MILLIMETRES