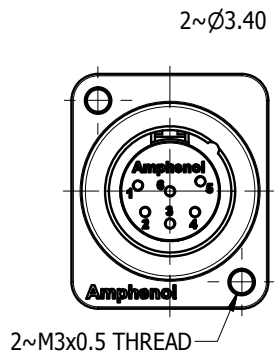


LEGEND = KEY PRODUCT CHARACTERISTICS

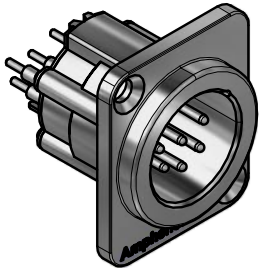
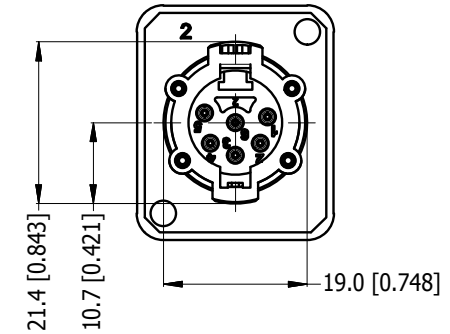
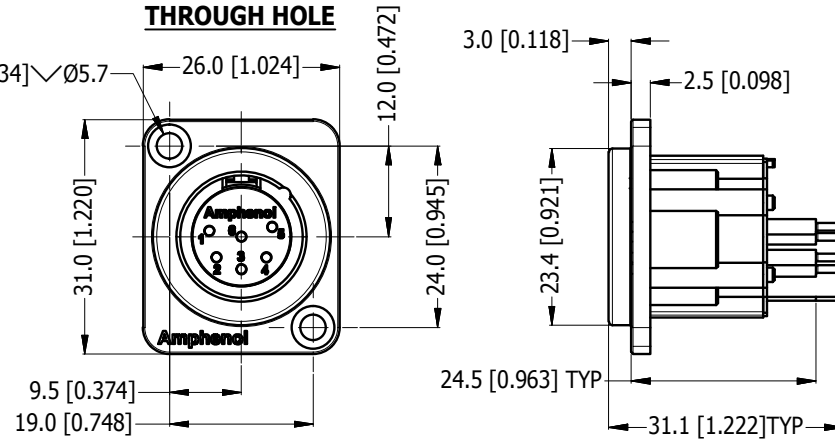
REVISION HISTORY				
REV	DESCRIPTION	DATE	BY	ECN
1	FIRST ISSUE	19/12/19	MH	----



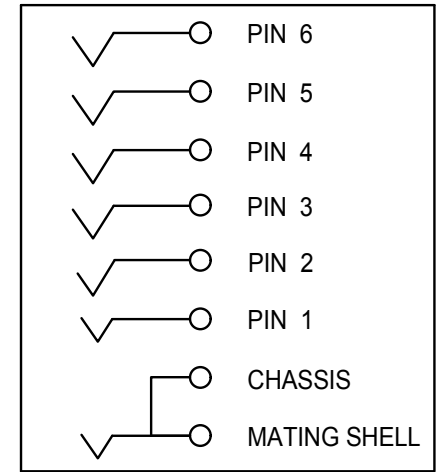
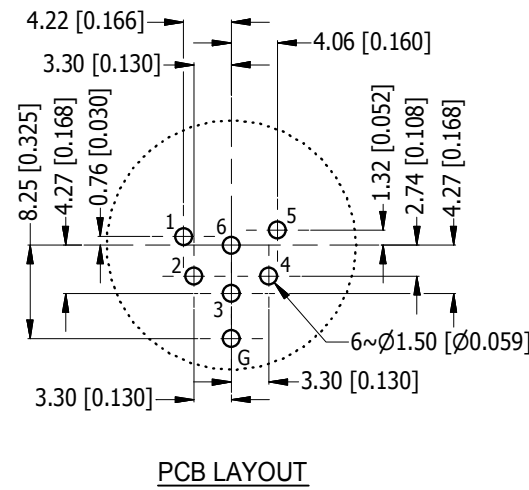
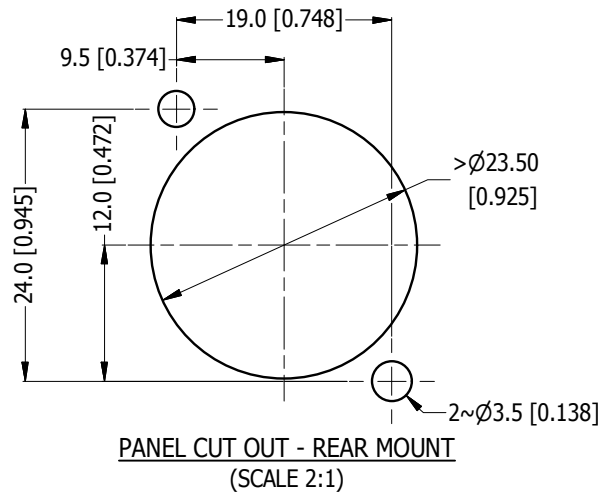
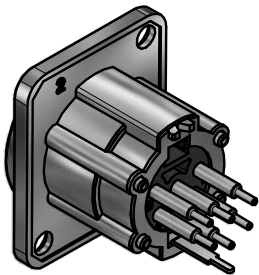
**M3 THREAD OPTION**



**THROUGH HOLE**



**3D VIEW (1:1)**



PART NUMBER	SHELL FINISH	PIN CONTACT FINISH
AX6AMDV	NICKEL PLATED	SILVER PLATED
AX6AMDV-M3	NICKEL PLATED	SILVER PLATED
AX6AMDVB	MATT BLACK COATING	SILVER PLATED
AX6AMDVB-M3	MATT BLACK COATING	SILVER PLATED
AX6AMDV-AU	NICKEL PLATED	GOLD PLATED
AX6AMDV-AU-M3	NICKEL PLATED	GOLD PLATED
AX6AMDVB-AU	MATT BLACK COATING	GOLD PLATED
AX6ADVB-AU-M3	MATT BLACK COATING	GOLD PLATED

UNLESS OTHERWISE SPECIFIED TOLERANCE TO BE		THIS DOCUMENT IS THE PROPERTY OF AMPHENOL AUSTRALIA PTY. LTD. NO PART THEREOF MAY BE REPRODUCED AND USED WITHOUT THE PRIOR WRITTEN CONSENT OF THE OWNER			
LINEAR	ANGULAR	MATERIAL:	DRN:	DATE:	TITLE:
X ± 0.5	X' ± 1	<b>SEE COMPONENT</b>	M.H	19/12/19	<b>AX6AMDV</b>
X.X ± 0.1	X.X' ± 30'	FINISH:	M.H	19/12/19	<b>D-TYPE AX PANEL MOUNT</b>
X.XX ± 0.1	X.XX' ± 15'	<b>SEE COMPONENT</b>	P.M	19/12/19	<b>CUSTOMER DWG</b>
BREAK ALL SHARP EDGES AND REMOVE ALL BURRS		DO NOT SCALE	SCALE:	SIZE:	CAD FILE
DIMENSIONS IN MILLIMETRES		THIRD ANGLE PROJECTION	<b>1:1</b>	<b>A4</b>	55011344131111

<b>Amphenol</b>		Amphenol Australia Pty.Ltd, 22 Industry Boulevard, Carrum Downs, VIC 3201	
<b>SEE TABLE</b>		<b>SEE TABLE</b>	
DRAWING No. <b>55011344-131-2</b>		SHEET <b>2/2</b>	