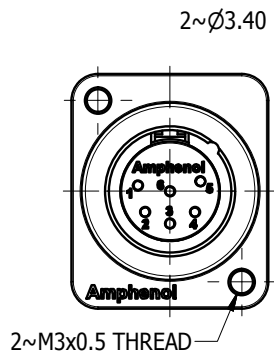


LEGEND = KEY PRODUCT CHARACTERISTICS

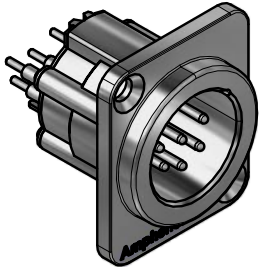
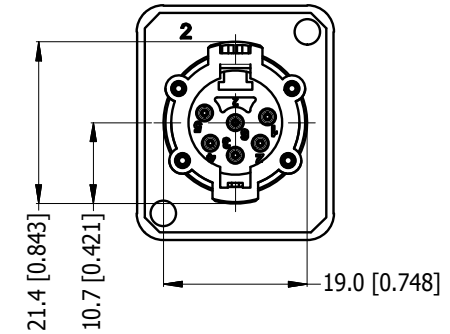
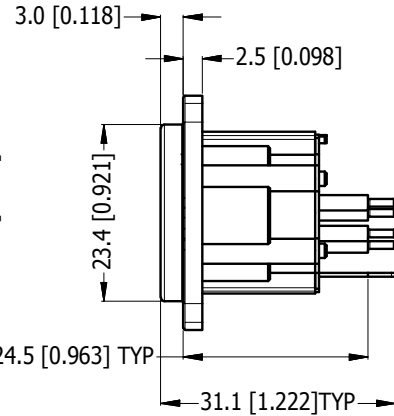
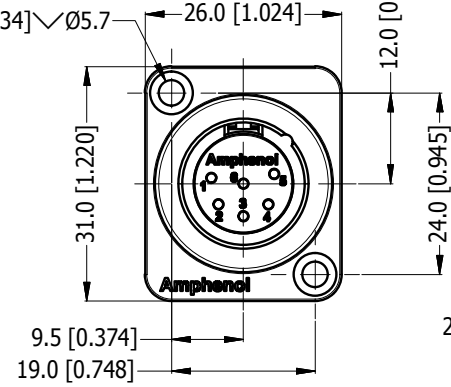
REVISION HISTORY				
REV	DESCRIPTION	DATE	BY	ECN
1	FIRST ISSUE	19/12/19	MH	----



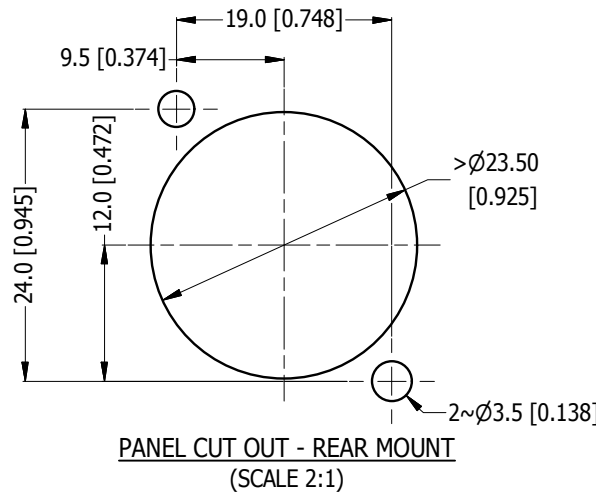
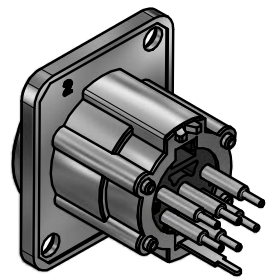
**M3 THREAD OPTION**



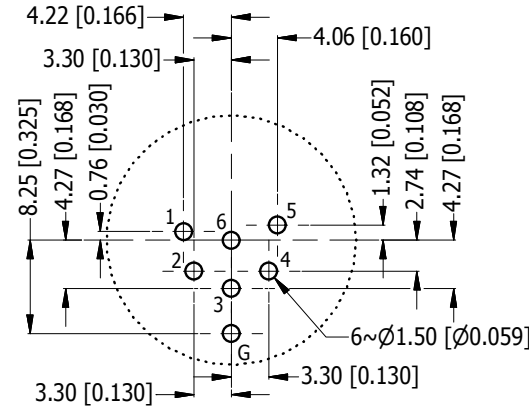
**THROUGH HOLE**



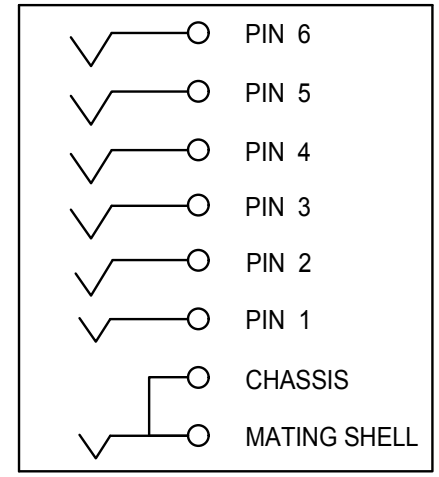
**3D VIEW (1:1)**



**PANEL CUT OUT - REAR MOUNT (SCALE 2:1)**



**PCB LAYOUT**



**SCHEMATIC CHART**

PART NUMBER	SHELL FINISH	PIN CONTACT FINISH
AX6AMDV	NICKEL PLATED	SILVER PLATED
AX6AMDV-M3	NICKEL PLATED	SILVER PLATED
AX6AMDVB	MATT BLACK COATING	SILVER PLATED
AX6AMDVB-M3	MATT BLACK COATING	SILVER PLATED
AX6AMDV-AU	NICKEL PLATED	GOLD PLATED
AX6AMDV-AU-M3	NICKEL PLATED	GOLD PLATED
AX6AMDVB-AU	MATT BLACK COATING	GOLD PLATED
AX6ADVB-AU-M3	MATT BLACK COATING	GOLD PLATED

UNLESS OTHERWISE SPECIFIED TOLERANCE TO BE		THIS DOCUMENT IS THE PROPERTY OF AMPHENOL AUSTRALIA PTY. LTD. NO PART THEREOF MAY BE REPRODUCED AND USED WITHOUT THE PRIOR WRITTEN CONSENT OF THE OWNER			
LINEAR		MATERIAL: <b>SEE COMPONENT</b>		DRN: M.H	DATE: 19/12/19
ANGULAR		FINISH: <b>SEE COMPONENT</b>		CKD: M.H	DATE: 19/12/19
X ± 0.5	X' ± 1	DO NOT SCALE		APP'D: P.M	DATE: 19/12/19
X.X ± 0.1	X.X' ± 30'	DIMENSIONS IN MILLIMETRES		SCALE: <b>1:1</b>	SIZE: <b>A4</b>
X.XX ± 0.1	X.XX' ± 15'	THIRD ANGLE PROJECTION		CAD FILE: 55011344131111	

**Amphenol** Amphenol Australia Pty.Ltd, 22 Industry Boulevard, Carrum Downs, VIC 3201

**AX6AMDV**  
D-TYPE AX PANEL MOUNT  
CUSTOMER DWG

PART No. **SEE TABLE**

DRAWING No. **55011344-131-2** SHEET **2/2**