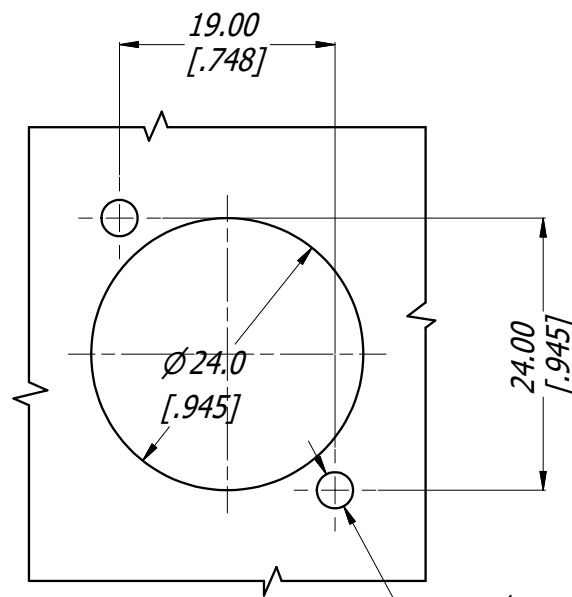


3D VIEW
1:1



PANEL CUT OUT
3:2

TABLE OF PART NUMBERS

PART No.	METAL SHELL FINISH	TRANSMISSION CLASS
RJXS8FG5I	NICKEL	CAT5e
RJXS8FG6I	NICKEL	CAT6

UNLESS OTHERWISE SPECIFIED TOLERANCE TO BE	
LINEAR	ANGULAR
X ±0.5	X° ±1
X.X ±0.1	X.X° ±30'
X.X ±0.05	X.XX" ±15'

THIS DOCUMENT IS THE PROPERTY OF AMPHENOL AUSTRALIA PTY. LTD.
NO PART THEREOF MAY BE REPRODUCED AND USED
WITHOUT THE PRIOR WRITTEN CONSENT OF THE OWNER.

MATERIAL: **REFER SPECIFICATION**

DO NOT SCALE

FINISH:

DIMENSIONS IN MILLIMETRES

DRN: T.N	DATE: 04/03/20
CKD: P.M	DATE: 04/03/20
APP'D: P.M	DATE: 04/03/20
SCALE: 3:2	SIZE: A3

Amphenol

Amphenol Australia Pty.Ltd,
22 Industry Blvd, Carrum Downs
VIC 3201 Australia

TITLE:
**XLrnet IP54 WITH CAP
PUNCHDOWN IDC
CUSTOMER DRAWING**

PART No:	REV
REFER TABLE P/No	1
DRAWING No.	SHEET
55011399-000-2	2/2

