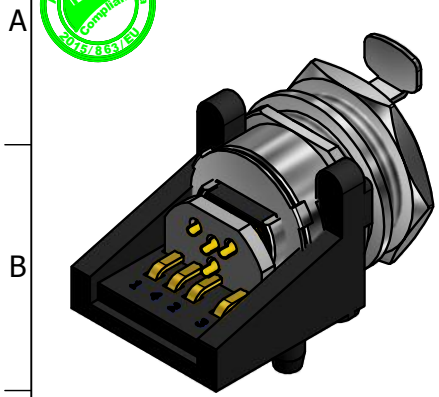


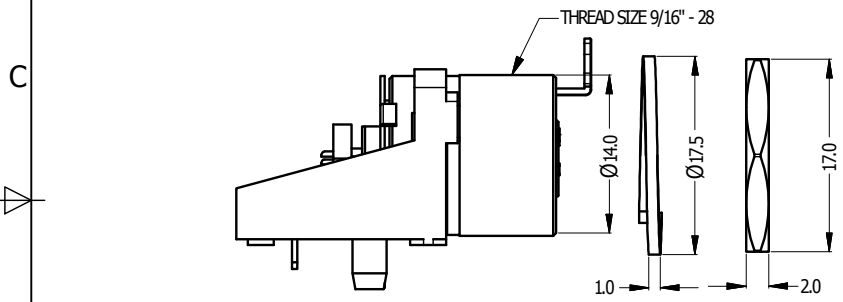
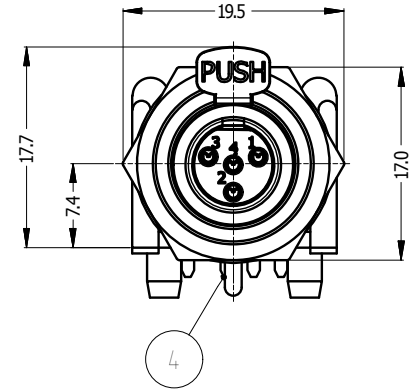
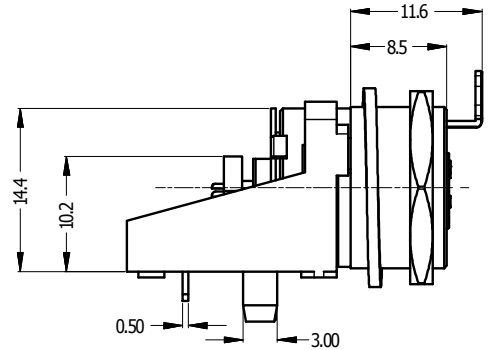
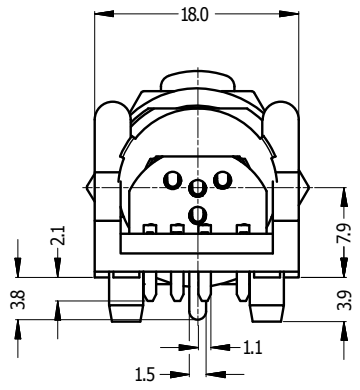
1 2 3 4 5 6 7 8
 LEGEND = KEY PRODUCT CHARACTERISTICS



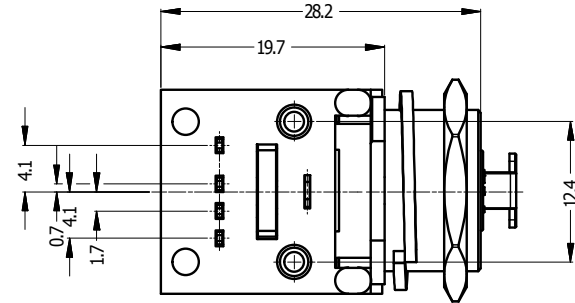
REVISION HISTORY				
REV	DESCRIPTION	DATE	BY	ECN
0	FIRST ISSUE	04/10/12	MH	---
1	CHANGE SUPPORT MATERIAL PA6 TO LCP-GREY	23/06/16	MH	9356
2	UPDATE DRAWING TO CURRENT PRODUCT	05/06/20	MH	9535



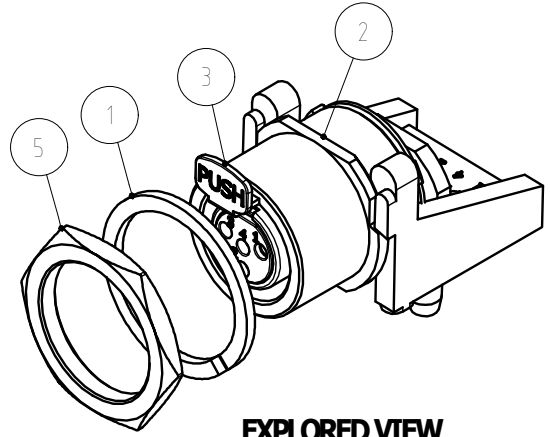
ISO VIEW



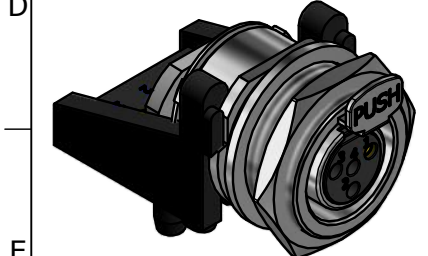
METAL WASHER METAL NUT



PCB LAYOUT (TOP VIEW)



EXPLORED VIEW



Specification:
 Mechanical
 Lifetime: Insert & withdraw >5000 cycle
 Insertion 6.1 lb/withdrawal 5.6 lb Max.

Electrical
 Contact resistance: <0.03 ohm
 Insulation resistance: >500Megohm
 Dielectric strength: 1000VDC
 Rated current: 5A

Notes:
 1. Connector is RoHS Compliant
 2. Materials are UL 94 V-0 Compliant.

ITEM	PART NUMBER	DESCRIPTION	QTY
5	50300395-321	METAL NUT - BRASS - NI PLATED	1
4	50300336-121	SOCKET CONTACTS - BRASS - Au PLATED	4
3	52080006-331	PUSH LEVEL - SUS 304- NI PLATED	1
2	55010859-100	AG4FCCH CONNECTOR WITHOUT HARDWARE	1
1	50300332-321	SPRING K5 METAL WASHER - NI PLATED	1

UNLESS OTHERWISE SPECIFIED TOLERANCE TO BE

LINEAR	ANGULAR
X ± 0.5	X' ± 1
XX ± 0.2	XX' ± 30'
XXX ± 0.1	XXX' ± 15'

BREAK ALL SHARP EDGES AND REMOVE ALL BURRS

DO NOT SCALE

FINISH: SEE TABLE

DIMENSIONS IN MILLIMETRES

THIS DOCUMENT IS THE PROPERTY OF AMPHENOL AUSTRALIA PTY. LTD. . NO PART THEREOF MAY BE REPRODUCED AND USED WITHOUT THE PRIOR WRITTEN CONSENT OF THE OWNER

MATERIAL: SEE PART LIST

DRN: MH DATE: 04/10/12

CKD: MH DATE: 05/06/20

APP'D: PM DATE: 05/06/20

SCALE: 3:2 SIZE: A4

THIRD ANGLE PROJECTION

Amphenol Amphenol Australia Pty.Ltd,
 22 Industry Blvd, Carrum Downs, VIC 3201

TITLE: **MINI XLR 4 SKT FEMALE PANEL MOUNT RA PCB CUSTOMER DRAWING**

PART No: **AG4FCCH**

DRAWING NO. **55010859-100-1** SHEET **1/1**

CAD FILE 55010859100112