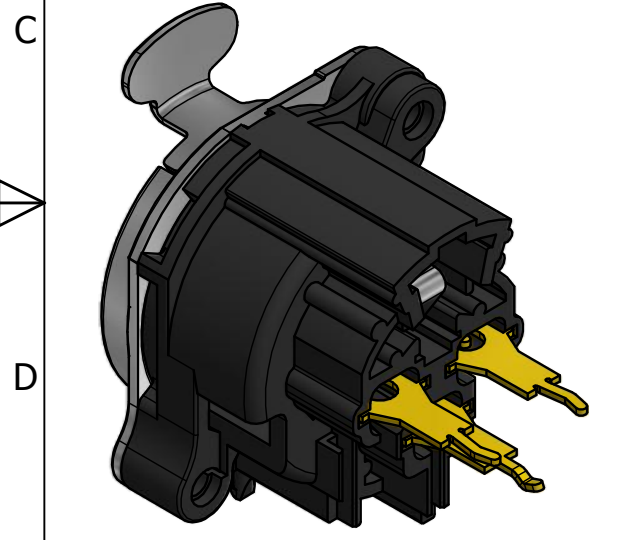
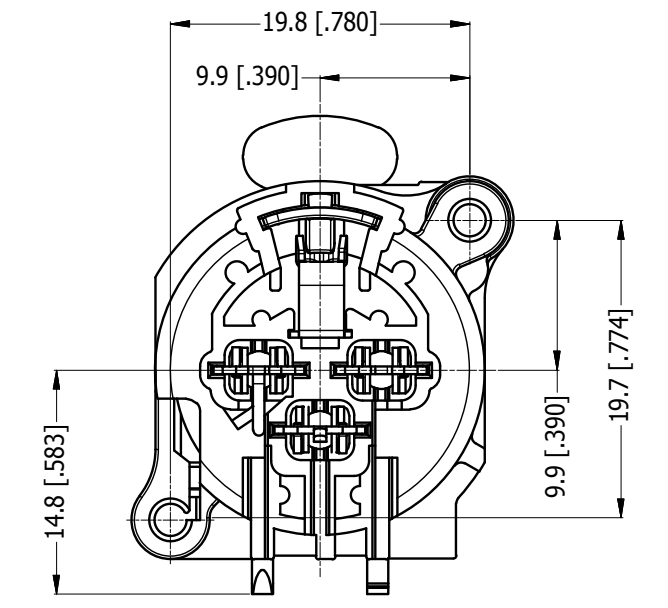
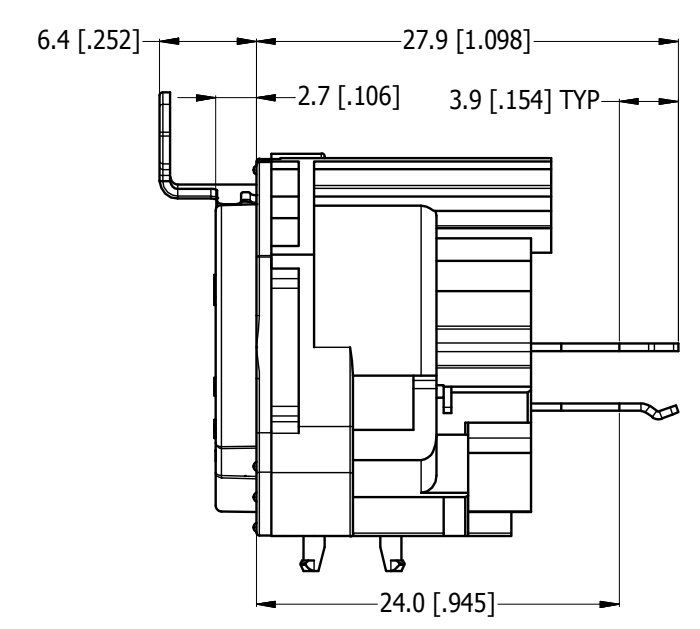
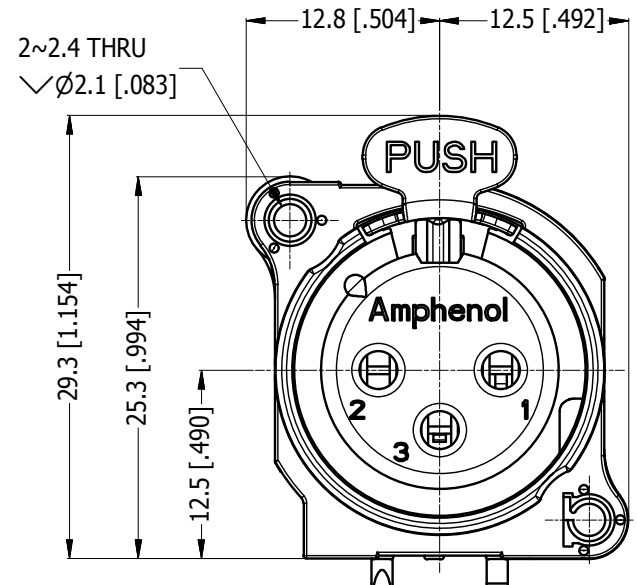
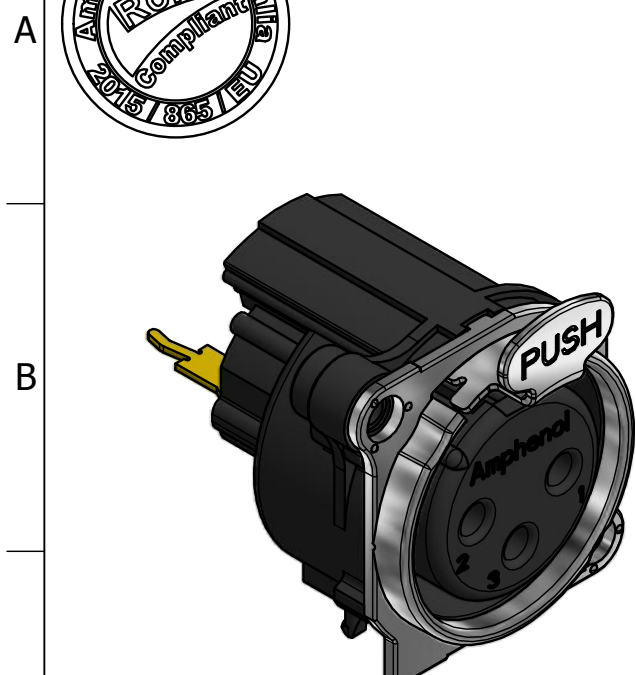


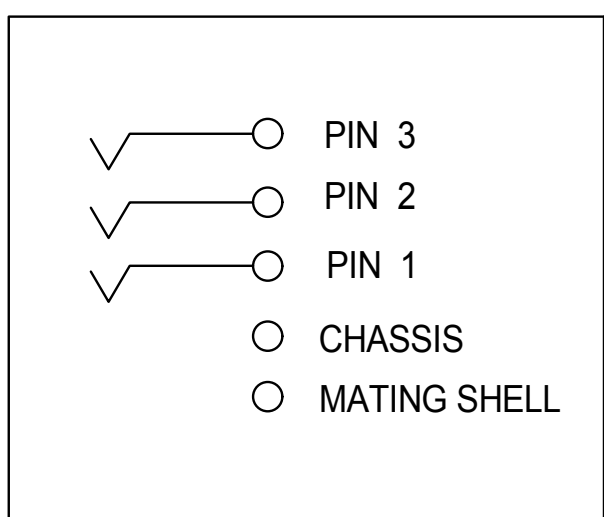
LEGEND = KEY PRODUCT CHARACTERISTICS



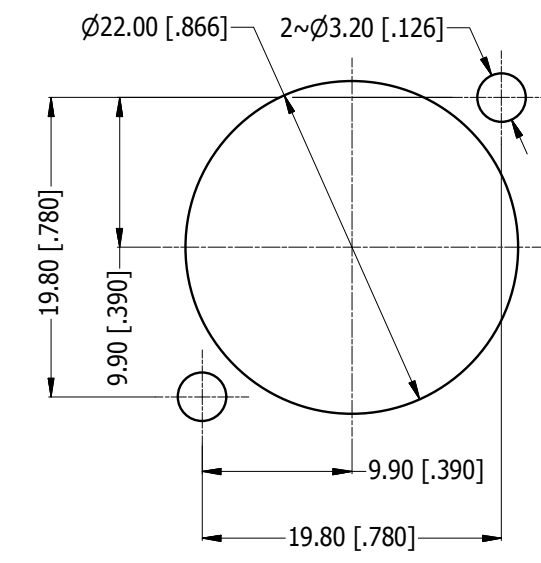
REVISION HISTORY				
REV	DESCRIPTION	DATE	BY	CHG/No
0	FIRST ISSUE	05/02/18	MH	---



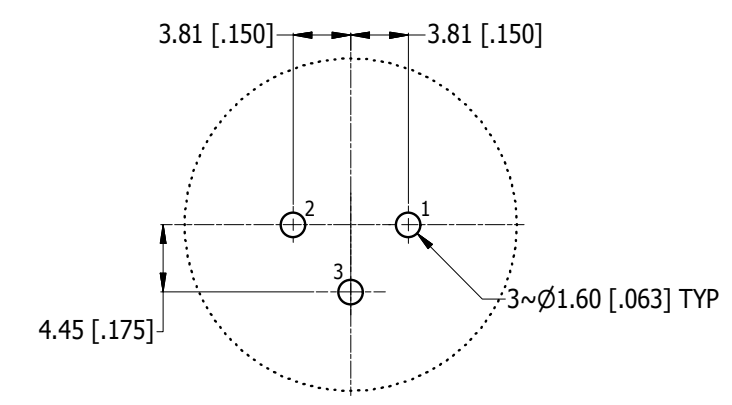
ISO VIEW



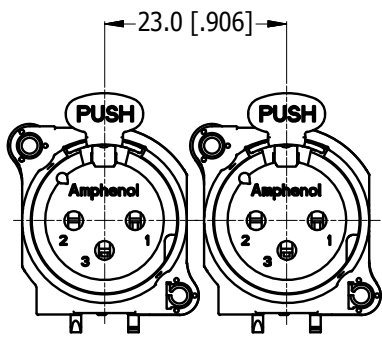
SCHMATIC CHART



PANEL CUT OUT
REAR VIEW



PCB-LAYOUT
COMPONENT SIDE
TOLERANCE: $\pm 0.05\text{mm} [.002\text{"]}$



MIN MOUNTING PITCH
SCALE 1:1

PART NUMBER TABLE	
PART NUMBER	METAL FLANGE FINISH
AC3FBV-AU-PRE	SATIN NICKEL
AC3FBVB-AU-PRE	MATT BLACK

UNLESS OTHERWISE SPECIFIED TOLERANCE TO BE		THIS DOCUMENT IS THE PROPERTY OF AMPHENOL AUSTRALIA PTY. LTD. NO PART THEREOF MAY BE REPRODUCED AND USED WITHOUT THE PRIOR WRITTEN CONSENT OF THE OWNER				Amphenol Amphenol Australia Pty.Ltd, 22 Industry Blvd, Carrum Downs, VIC 3201	
LINEAR	ANGULAR	MATERIAL: REFER TO COMPONENT	DRN: MH	DATE: 05/02/18	TITLE: AC3FBV-AU-PRE B-TYPE VERTICAL CUSTOMER DRAWING		PART No: SEE PN TABLE
X ±0.5	X' ±1	BREAK ALL SHARP EDGES AND REMOVE ALL BURRS	CKD: M.H	DATE: 05/02/18	DRAWING NO. 55011291-000-2		SHEET 2/2
X.X ±0.2	X.X' ±30'	DO NOT SCALE	APP'D: P.M	DATE: 05/02/18	CAD FILE 55011291000220		
X.XX ±0.1	X.XX' ±15'	DIMENSIONS IN MILLIMETRES		THIRD ANGLE PROJECTION	SCALE: 2:1	SIZE: A3	