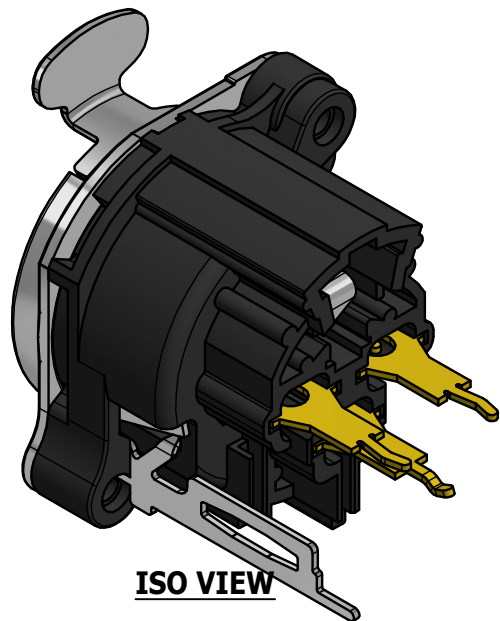
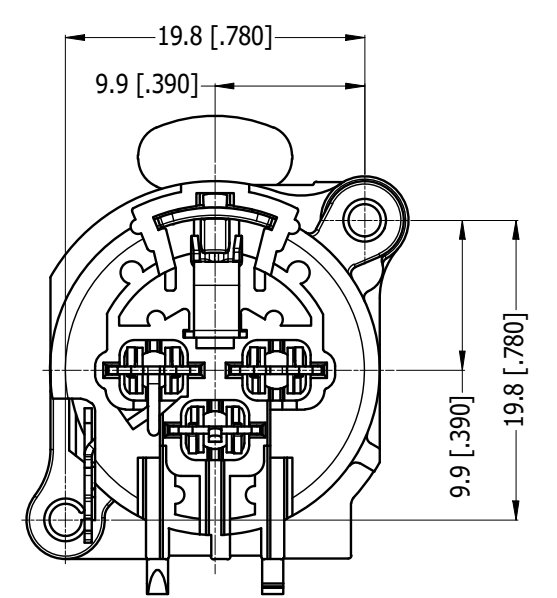
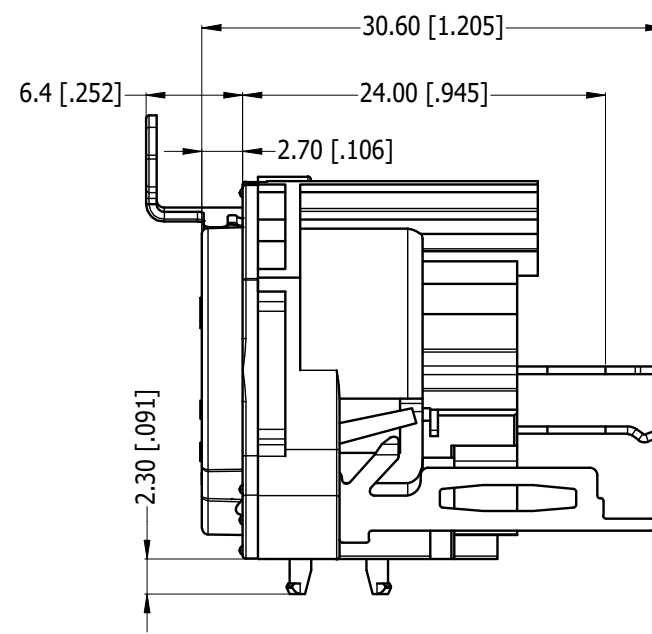
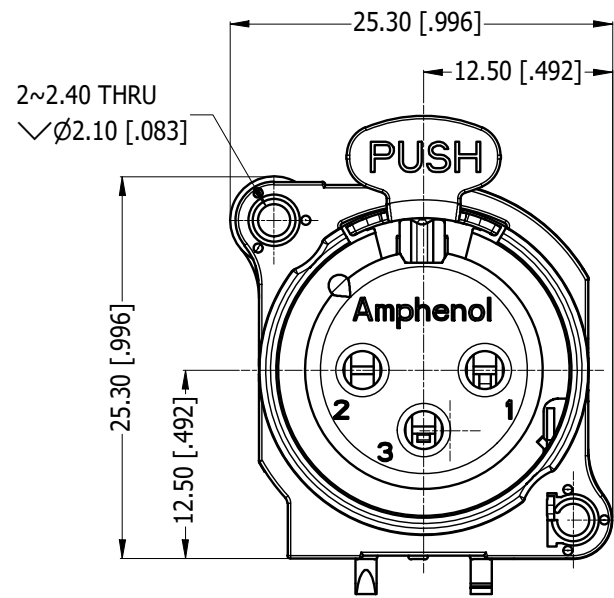
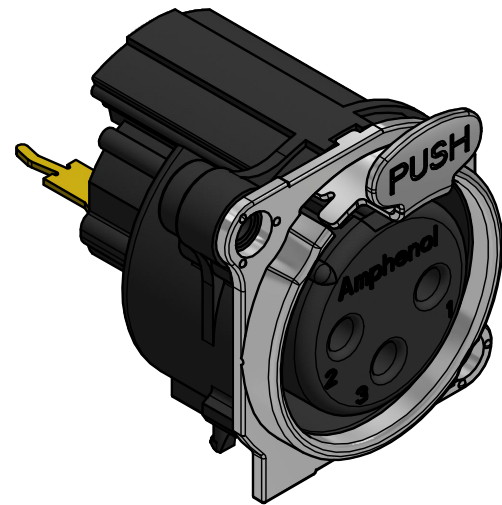


LEGEND = KEY PRODUCT CHARACTERISTICS

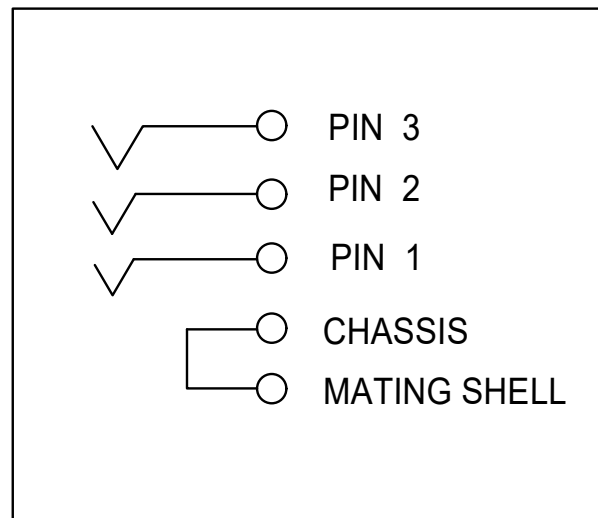


| REVISION HISTORY | | | | |
|------------------|-------------|----------|----|--------|
| REV | DESCRIPTION | DATE | BY | CHG/No |
| 1 | FIRST ISSUE | 05/02/18 | MH | --- |

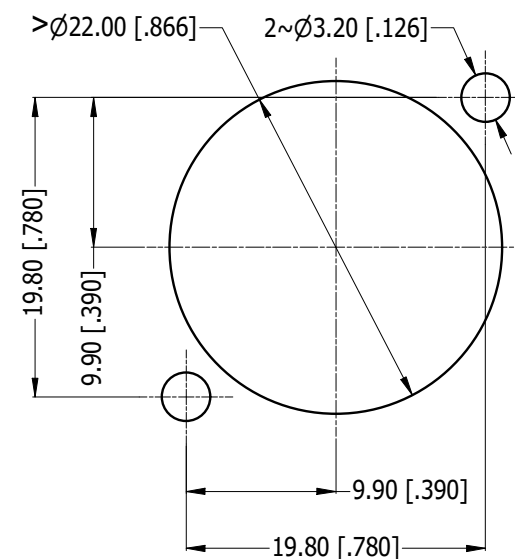
A
B
C
D
E
F



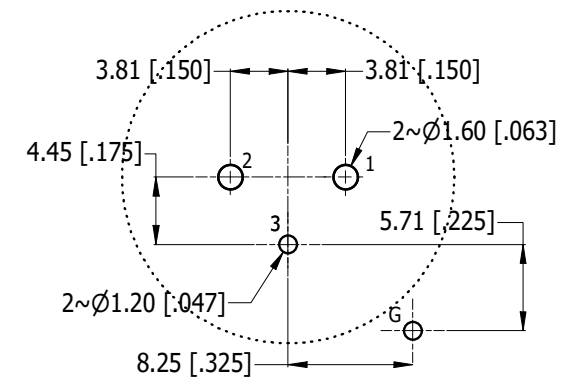
ISO VIEW



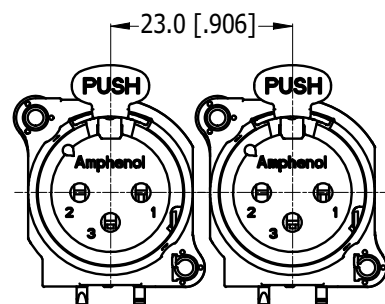
SCHMATIC CHART



PANEL CUT OUT
REAR VIEW



PCB-LAYOUT
COMPONENT SIDE
TOLERANCE: ±0.05mm [.002"]



MIN MOUNTING PITCH
SCALE 1:1

| PART NUMBER TABLE | |
|-------------------|---------------------|
| PART NUMBER | METAL FLANGE FINISH |
| AC3FBVL2-AU-PRE | SATIN NICKEL |
| AC3FBVBL2-AU-PRE | MATT BLACK |

| | | | | | |
|--|------------|---|-------|----------|----------------|
| UNLESS OTHERWISE SPECIFIED TOLERANCE TO BE | | THIS DOCUMENT IS THE PROPERTY OF AMPHENOL AUSTRALIA PTY. LTD. NO PART THEREOF MAY BE REPRODUCED AND USED WITHOUT THE PRIOR WRITTEN CONSENT OF THE OWNER | | | |
| LINEAR | ANGULAR | MATERIAL: | DRN: | DATE: | TITLE: |
| X ±0.5 | X° ±1 | REFER TO COMPONENT | MH | 05/02/18 | |
| X.X ±0.2 | X.X' ±30' | FINISH: REFER TO COMPONENT | CKD: | DATE: | DRAWING NO. |
| X.XX ±0.1 | X.XX" ±15" | | M.H | 05/02/18 | |
| BREAK ALL SHARP EDGES AND REMOVE ALL BURRS | | APP'D: | P.M | DATE: | SHEET |
| DO NOT SCALE | | SCALE: | 2:1 | DATE: | |
| DIMENSIONS IN MILLIMETRES | | THIRD ANGLE PROJECTION | SIZE: | A3 | CAD FILE: |
| | | | | | 55011288000221 |

| | |
|---|---------------------------|
| Amphenol Amphenol Australia Pty.Ltd. 22 Industry Blvd, Carrum Downs, VIC 3201 | |
| AC3FBV2-AU-PRE VERTICAL FEMALE CUSTOMER DRAWING | PART No: SEE TABLE |
| DRAWING NO. 55011288-000-2 | SHEET 2/2 |

1 2 3 4 5 6 7 8