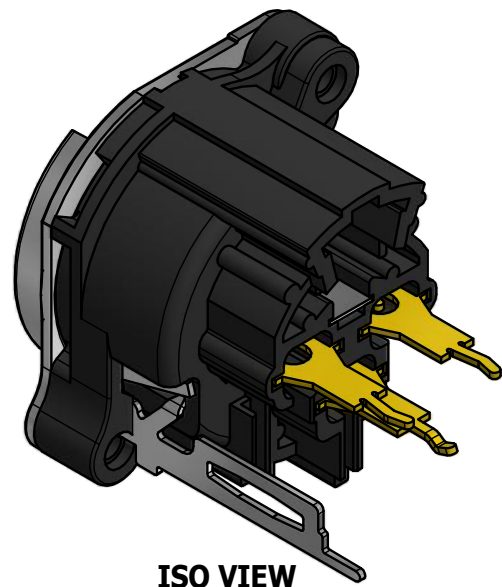
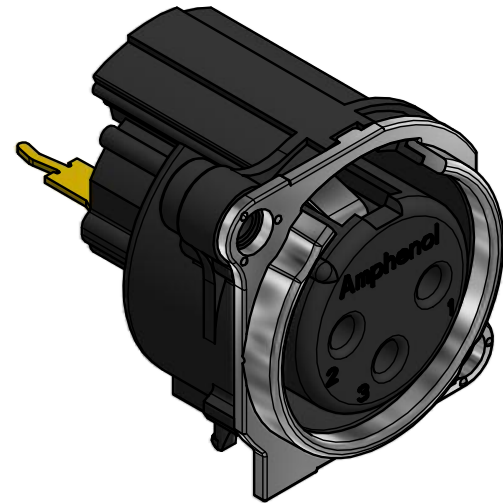
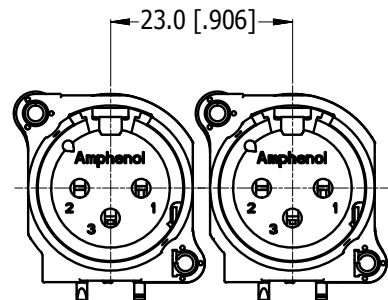


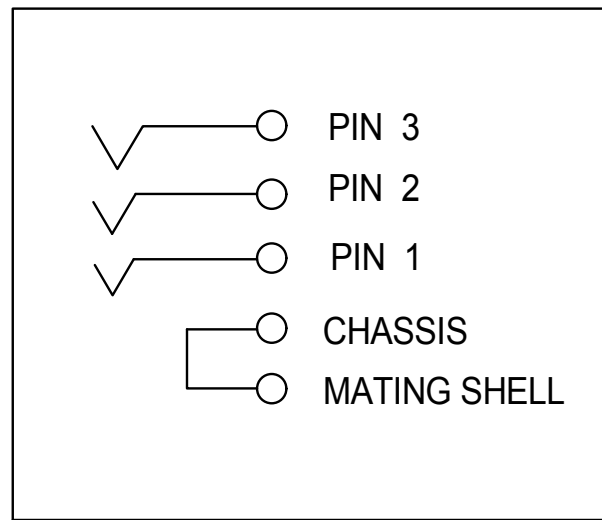
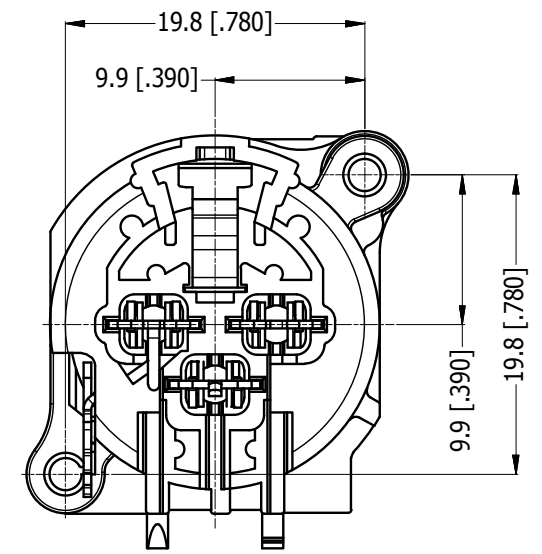
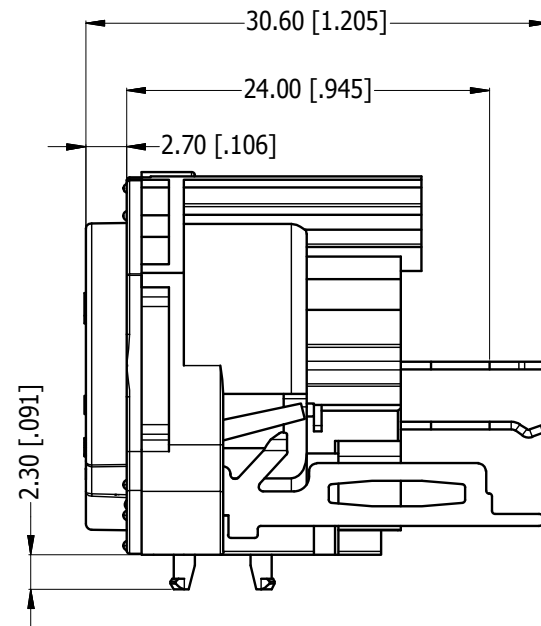
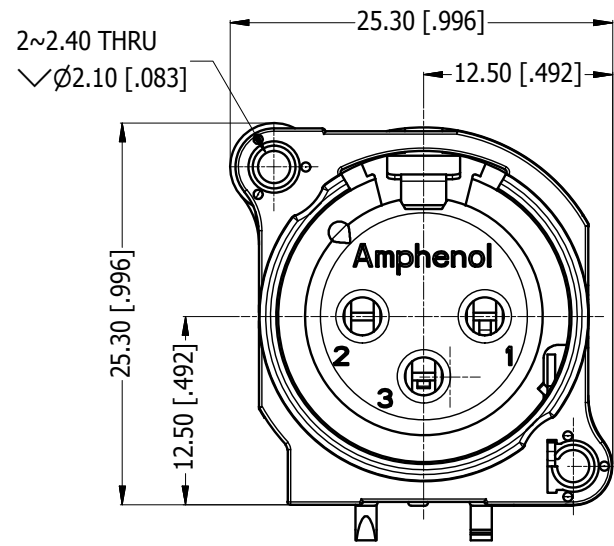
LEGEND = KEY PRODUCT CHARACTERISTICS



ISO VIEW

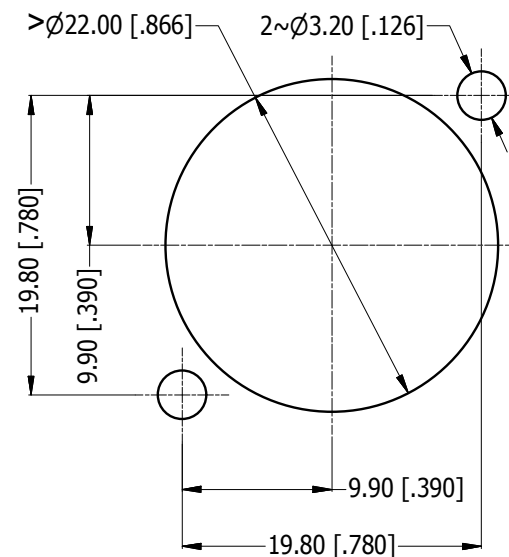


MIN MOUNTING PITCH  
SCALE 1:1

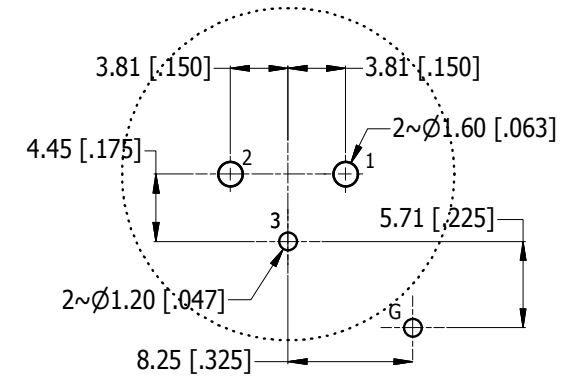


SCHEMATIC CHART

PART NUMBER TABLE	
PART NUMBER	METAL FLANGE FINISH
AC3FBVL2-AU-PRE	SATIN NICKEL
AC3FBVBL2-AU-PRE	MATT BLACK



PANEL CUT OUT  
REAR VIEW



PCB-LAYOUT  
COMPONENT SIDE  
TOLERANCE: ± 0.05mm [.002"]

REVISION HISTORY				
REV	DESCRIPTION	DATE	BY	CHG/No
1	FIRST ISSUE	03/05/18	MH	---

UNLESS OTHERWISE SPECIFIED TOLERANCE TO BE		THIS DOCUMENT IS THE PROPERTY OF AMPHENOL AUSTRALIA PTY. LTD. NO PART THEREOF MAY BE REPRODUCED AND USED WITHOUT THE PRIOR WRITTEN CONSENT OF THE OWNER			Amphenol Australia Pty.Ltd. 22 Industry Blvd, Carrum Downs, VIC 3201	
LINEAR	ANGULAR	MATERIAL:	DRN: MH	DATE: 03/05/18	TITLE: AC3FBVL2-AU-PRE VERTICAL FEMALE CUSTOMER DRAWING	
X ±0.5	X' ±1	REFER TO COMPONENT	CKD: M.H	DATE: 03/05/18	PART No: SEE TABLE	
X.X ±0.2	X.X' ±30'	FINISH: REFER TO COMPONENT	APP'D: P.M	DATE: 03/05/18	DRAWING NO. 55011308-000-2	
X.XX ±0.1	X.XX' ±15'	DO NOT SCALE	SCALE: 2:1	SIZE: A3	SHEET 2/2	
DIMENSIONS IN MILLIMETRES		THIRD ANGLE PROJECTION		CAD FILE 55011308000221		