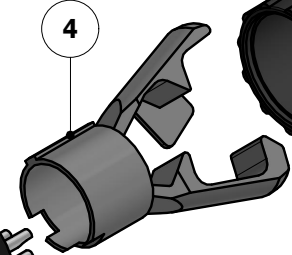
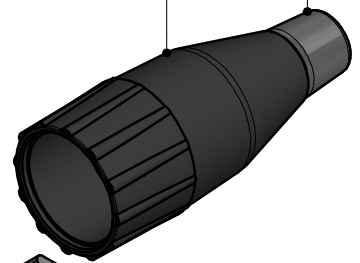
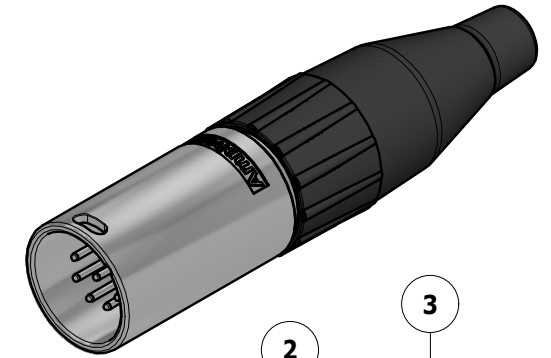
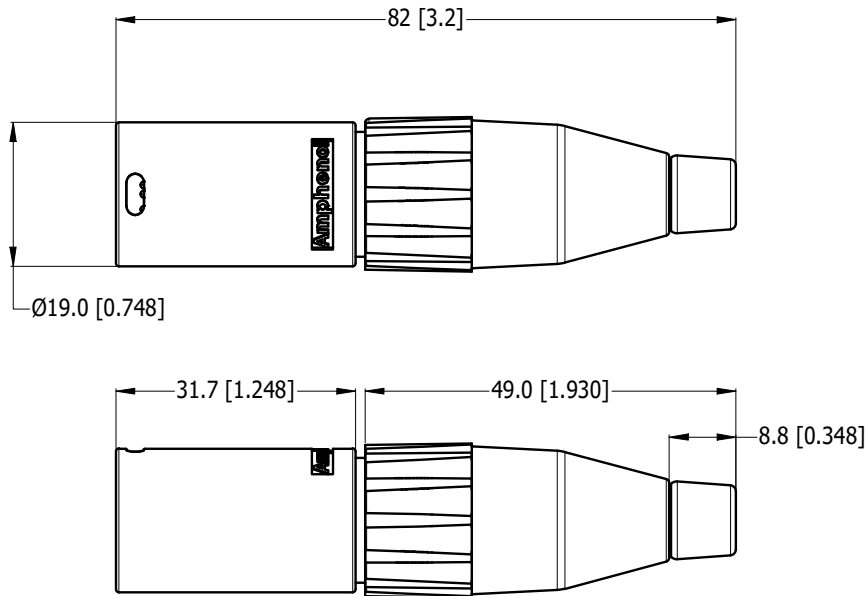


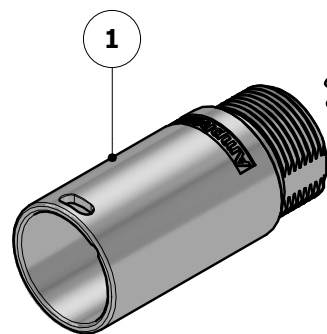
LEGEND  = KEY PRODUCT CHARACTERISTICS



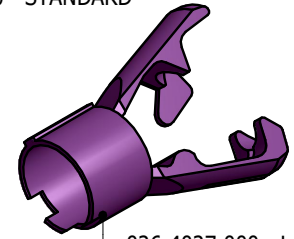
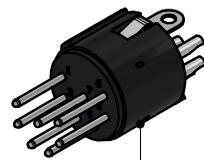
REVISION HISTORY				
REV	DESCRIPTION	DATE	BY	ECN
0	FIRST ISSUE	11/04/16	MH	----



156-4072-100 - WITHOUT GROUND TAG **5**



026-4026-000 - STANDARD



026-4027-000 - LARGE

156-4072-100 - WITH GROUND TAG **5**

PART NUMBER	SHELL FINISH	CONTACT FINISH	CABLE CLAMP	GROUND TAG
AC7M	NICKEL PLATED	GOLD PLATED	STANDARD	YES
AC7MJ	NICKEL PLATED	GOLD PLATED	LARGE	YES
AC7MB	MATT BLACK COATING	GOLD PLATED	STANDARD	NO
AC7MBJ	MATT BLACK COATING	GOLD PLATED	LARGE	NO

- Note:
- Individual bag pack for all above standard PNs.
 - Notation for colour Backshell can be added to PN, e.g. AC7M-BLU - Blue colour Backshell.
 - Add BULK to PN for bulk packing of 100 connectors per box, e.g. AC7M BULK.
 - Connector PN with non conductive Black Shell is without Ground Tag installed.
Contact factory for custom PN with Ground Tag installed.

ITEM	PART NUMBER	DESCRIPTION	QTY	UNLESS OTHERWISE SPECIFIED TOLERANCE TO BE		THIS DOCUMENT IS THE PROPERTY OF AMPHENOL AUSTRALIA PTY. LTD. NO PART THEREOF MAY BE REPRODUCED AND USED WITHOUT THE PRIOR WRITTEN CONSENT OF THE OWNER	MATERIAL: SEE COMPONENT	DRN: M.H	DATE: 11/04/16	TITLE: AC7M** AC 7 PIN MALE CUSTOMER DRAWING	PART No. SEE TABLE
				LINEAR	ANGULAR						
5	156-4072-100/101	INSERT ASSY 7 PIN WITH/WITHOUT GROUND TAG - Au PLATING	1	X ± 0.5	X' ± 1	FINISH: SEE COMPONENT	APP'D: PM	DATE: 12/10/20	SCALE: 1:1	SIZE: A4	DRAWING No. 55011106-700-2
4	026-4026/7-000	CABLE CLAMP - STD BLACK OR LARGE - PURPLE	1	X.X ± 0.2	X.X' ± 30'						
3	012-4035-00x	RUBBER GROMMET - STD MATT BLACK OR COLOURS	1	X.XX ± 0.1	X.XX" ± 15'						
2	217-4041-0xx	PLASTIC NUT - STD MATT BLACK OR COLOURS	1	DO NOT SCALE		THIRD ANGLE PROJECTION	SCALE: 1:1	DATE: 12/10/20	SIZE: A4	CAD FILE: 55011106700110	SHEET 1/2
1	348-4064-000/B	MALE SHELL - Ni PLATING OR MATT BLACK COATING	1	DIMENSIONS IN MILLIMETRES							