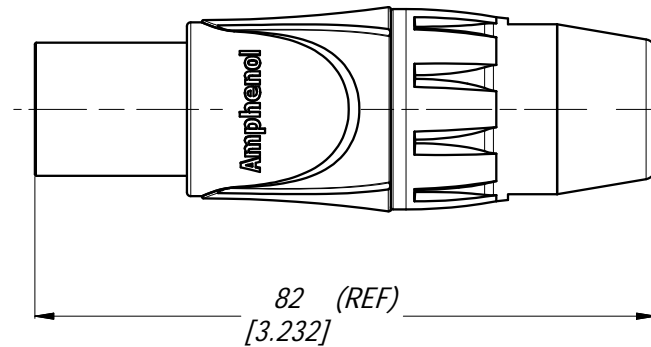


3D VIEW
1 : 1



THIS PART NUMBER TO BE SUPPLIED WITH LARGE CABLE CLAMP THAT CAN ACCOMODATE CABLE OD OF 16mm, 12 AWG CONDUCTOR.

UNLESS OTHERWISE SPECIFIED TOLERANCE TO BE		THIS DOCUMENT IS THE PROPERTY OF AMPHENOL AUSTRALIA PTY. LTD. NO PART THEREOF MAY BE REPRODUCED AND USED WITHOUT THE PRIOR WRITTEN CONSENT OF THE OWNER.				Amphenol Amphenol Australia Pty.Ltd, 22 Industry Blvd Carrum Downs, VIC 3201		
LINEAR	ANGULAR	MATERIAL:	DRN: T.N	DATE: 27/07/16	TITLE: CONNECTOR PLUG		PART No: HP-3-FJ	REV: 1
X ±	X' ±	FINISH:	CKD: P.M	DATE: 27/07/16	POWER IN - BLUE		DRAWING No. 55010925-000-3	SHEET 3/3
X.X ±	X.X' ±		APP'D: P.M	DATE: 27/07/16	LARGE CABLE CLAMP			
X.XX ±	X.XX' ±		SCALE: 1:1	SIZE: A4				
BREAK ALL SHARP EDGES AND REMOVE ALL BURRS		DIMENSIONS IN MILLIMETRES		THIRD ANGLE PROJECTION				
DO NOT SCALE						CB4.17.F1		