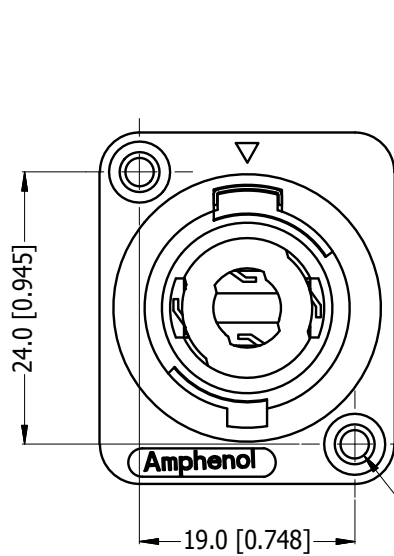


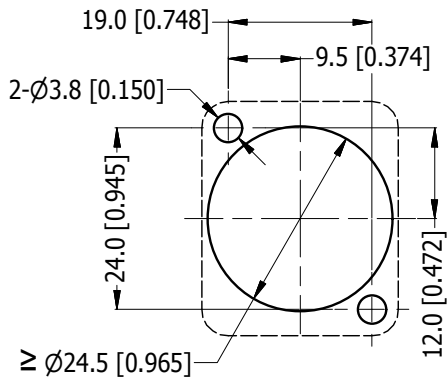
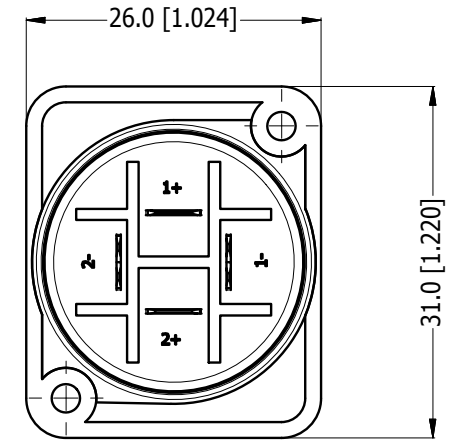
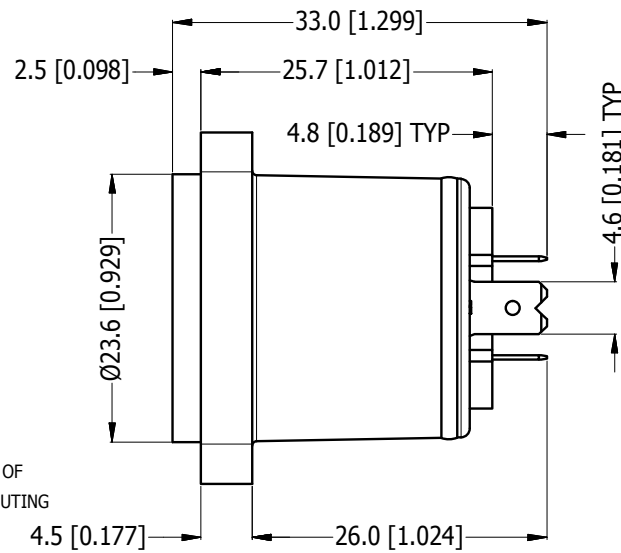
LEGEND  = KEY PRODUCT CHARACTERISTICS



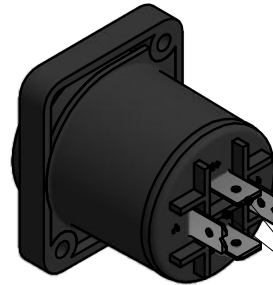
REVISION HISTORY				
REV	DESCRIPTION	BY	DATE	ECN
1	FIRST ISSUE	MH	05-04-18	----



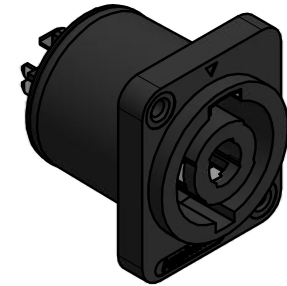
REFER TO TABLE OF PART No FOR MOUNTING HOLE DETAIL



PANEL CUTOUT
(SCALE 1 : 1)



AIRTIGHT ASSEMBLY



UNLESS OTHERWISE SPECIFIED TOLERANCE TO BE		THIS DOCUMENT IS THE PROPERTY OF AMPHENOL AUSTRALIA PTY. LTD. NO PART THEREOF MAY BE REPRODUCED AND USED WITHOUT THE PRIOR WRITTEN CONSENT OF THE OWNER			
LINEAR	ANGULAR	MATERIAL: REFER TO COMPONENTS		DRN: MH	DATE: 05-04-18
X ± 0.5	X° ± 1	BREAK ALL SHARP EDGES AND REMOVE ALL BURRS		CKD: MH	DATE: 05-04-18
X.X ± 0.2	X.X° ± 30°	DO NOT SCALE	FINISH: BLACK	APP'D: PM	DATE: 05-04-18
X.XX ± 0.1	X.XX° ± 15°	DIMENSIONS IN MILLIMETRES		SCALE: 3:2	SIZE: A4
				CAD FILE: 55011303000221	

Amphenol Amphenol Australia Pty.Ltd,
22 Industry Blvd, Carrum Downs, VIC 3201

Table		
PART NUMBER	MOUNTING HOLE (mm)	SHELL COLOUR
SP-4-MDA	Ø3.5 THRU HOLES	BLACK
SP-4-MDA-8	Ø3.5 THRU HOLES	GREY
SP-4-MDAT	Ø2.2 THRU HOLES	BLACK
SP-4-MDAT-8	Ø2.2 THRU HOLES	GREY

TITLE:
**SP SERIES CONNECTOR
4 POLE LOUD SPEAKER
AIRTIGHT**

PART No.
REFER TO TABLE

DRAWING No.
55011303-000-2 SHEET
2/2