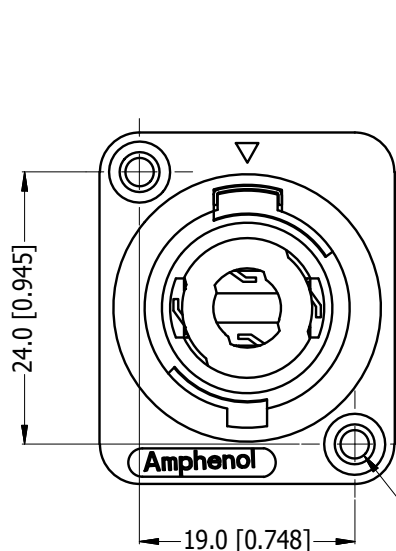


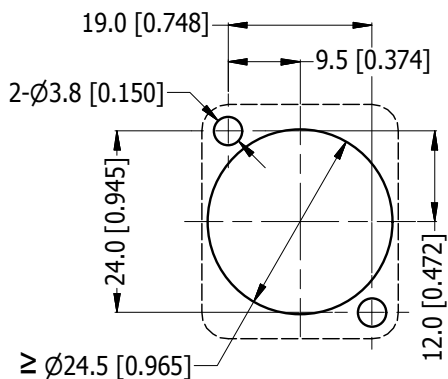
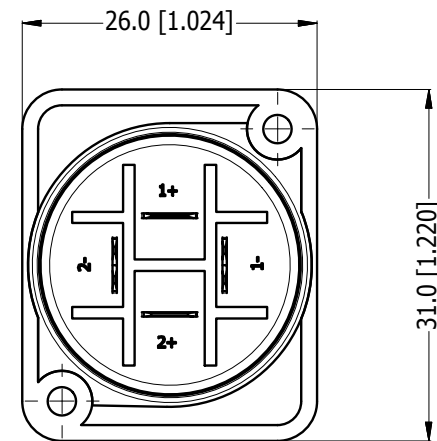
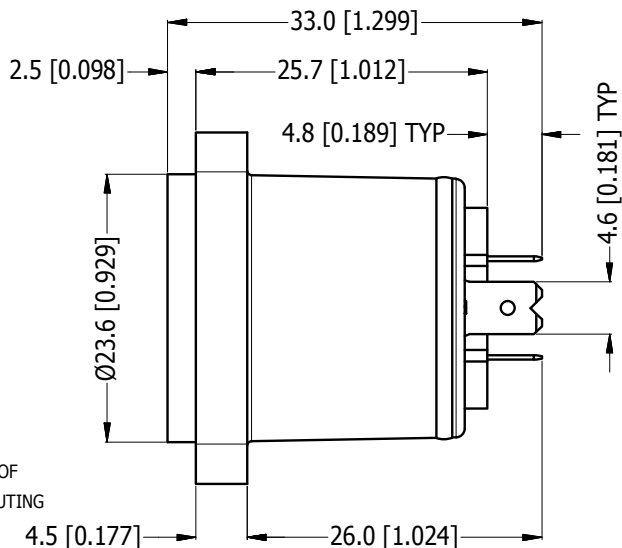
LEGEND = KEY PRODUCT CHARACTERISTICS



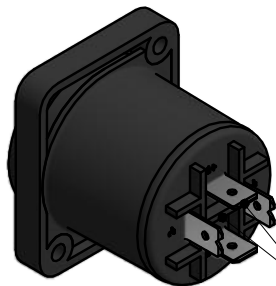
REVISION HISTORY				
REV	DESCRIPTION	BY	DATE	ECN
1	FIRST ISSUE	MH	05-04-18	----



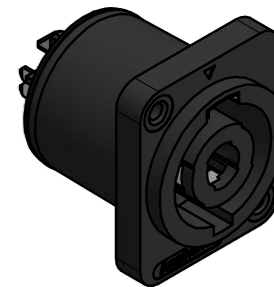
REFER TO TABLE OF PART No FOR MOUNTING HOLE DETAIL



PANEL CUTOUT
(SCALE 1 : 1)



AIRTIGHT ASSEMBLY



UNLESS OTHERWISE SPECIFIED TOLERANCE TO BE

LINEAR	ANGULAR
X ± 0.5	X° ± 1
X.X ± 0.2	X.X° ± 30°
X.XX ± 0.1	X.XX° ± 15°

BREAK ALL SHARP EDGES AND REMOVE ALL BURRS

DO NOT SCALE

DIMENSIONS IN MILLIMETRES

THIS DOCUMENT IS THE PROPERTY OF AMPHENOL AUSTRALIA PTY. LTD.
NO PART THEREOF MAY BE REPRODUCED AND USED WITHOUT THE PRIOR WRITTEN CONSENT OF THE OWNER

MATERIAL: **REFER TO COMPONENTS**

FINISH: **BLACK**



DRN: MH DATE: 05-04-18

CKD: MH DATE: 05-04-18

APP'D: PM DATE: 05-04-18

SCALE: **3:2**

SIZE: **A4**

Amphenol Amphenol Australia Pty.Ltd,
22 Industry Blvd, Carrum Downs, VIC 3201

TITLE:
**SP SERIES CONNECTOR
4 POLE LOUD SPEAKER
AIRTIGHT**

CAD FILE 55011303000221

PART No.
REFER TO TABLE

DRAWING No. **55011303-000-2** SHEET **2/2**

Table		
PART NUMBER	MOUNTING HOLE (mm)	SHELL COLOUR
SP-4-MDA	Ø3.5 THRU HOLES	BLACK
SP-4-MDA-8	Ø3.5 THRU HOLES	GREY
SP-4-MDAT	Ø2.2 THRU HOLES	BLACK
SP-4-MDAT-8	Ø2.2 THRU HOLES	GREY