

LEGEND \diamond = KEY PRODUCT CHARACTERISTICS



PART NUMBER SYSTEM

QS3Rx-AU xxx

SERIES PREFIX

Q = Series Prefix

CONTACT TYPE

S3 = Tip/Ring/Sleeve - Stereo

ORIENTATION

R = RIGHT ANGLE

SHELL FINISH

BLANK = NICKEL COATED
 B = BLACK COATED
 C = BLACK CHROMED

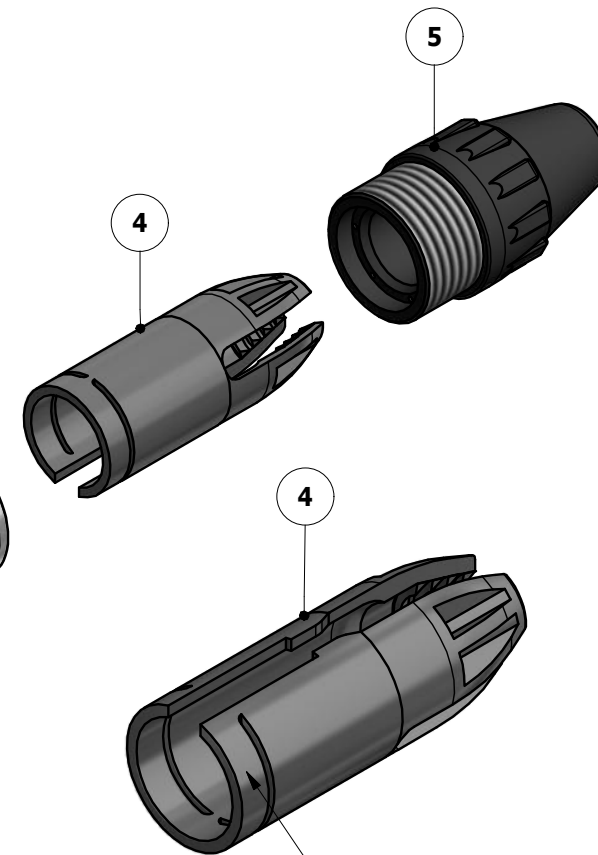
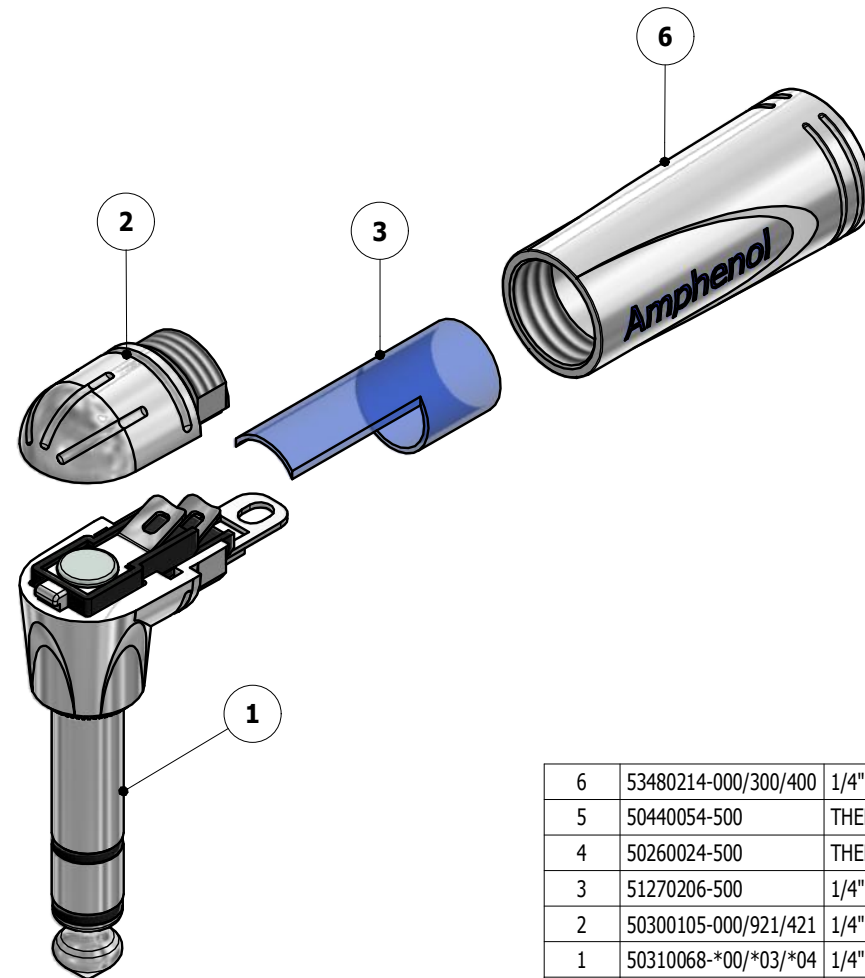
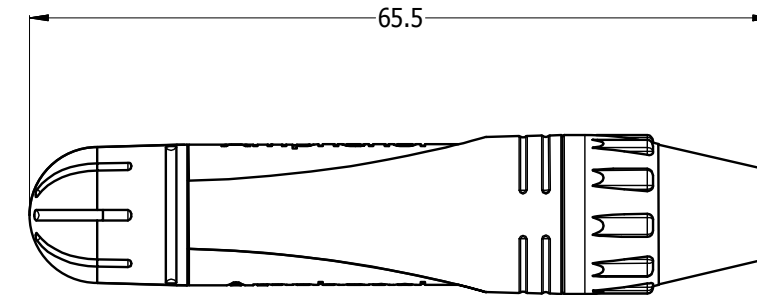
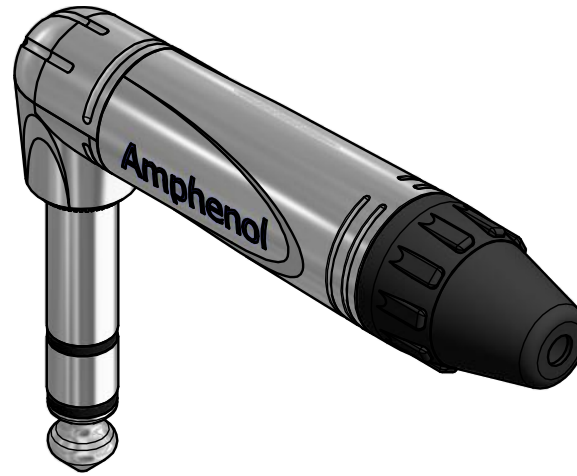
CONTACT PLATING

BLANK = NICKEL PLATED
 AU = GOLD PLATED

PACKAGING

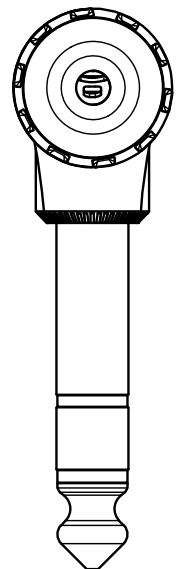
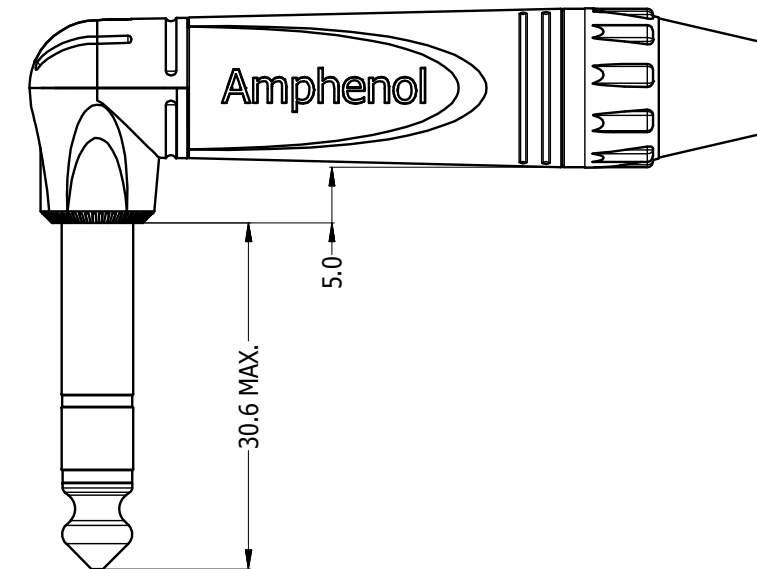
BLANK = INDIVIDUAL BAG
 BULK = BULK PACKED
 xxx = CUSTOMER SPECIFIC

REVISION HISTORY				
REV	DESCRIPTION	DATE	BY	CHG No
0	FIRST ISSUED	24/01/20	MH	----



BREAK AWAY FOR CABLE
 OD RANGE FROM 5-7mm

CABLE CLAMP
 (SCALE 2 : 1)



ITEM	PART NUMBER	DESCRIPTION	QTY
6	53480214-000/300/400	1/4" Q-SERIES BACKSHELL - BLACK CHROMED/NICKEL/MATT BLACK	1
5	50440054-500	THERMOPLASTIC BACKSHELL - BLACK	1
4	50260024-500	THERMOPLASTIC CABLE CLAMP - BLACK	1
3	51270206-500	1/4" RA CLEAR PVC TUBE - CLEAR	1
2	50300105-000/921/421	1/4" RA TOP CAP - BLACK CHROMED/NICKEL/MATT BLACK	1
1	50310068-*00/*03/*04	1/4" RA STEREO PLUG INSERT ASSY - Au/Si BLACK CHROMED/NICKEL/MATT BLACK	1

UNLESS OTHERWISE SPECIFIED TOLERANCE TO BE	
LINEAR	ANGULAR
X ± 0.50	X' ± 1
X.X ± 0.25	X.X' ± 30'
X.XX ± 0.1	X.XX" ± 15'

THIS DOCUMENT IS THE PROPERTY OF AMPHENOL AUSTRALIA PTY. LTD.
 NO PART THEREOF MAY BE REPRODUCED AND USED
 WITHOUT THE PRIOR WRITTEN CONSENT OF THE OWNER

MATERIAL: REFER TO COMPONENTS
 FINISH: REFER TO PN SYSTEM

DRN: MH DATE: 24/01/20
 CKD: MH DATE: 24/01/20
 APP'D: PM DATE: 24/01/20

DO NOT SCALE

DIMENSIONS IN MILLIMETRES

Amphenol Amphenol Australia Pty.Ltd,
 22 Industry Blvd, Carrum Downs, VIC 3201

TITLE: **1/4" RA STEREO PLUG Q-SERIES CONNECTOR ASSY**

PART No: REFER TO PN SYSTEM

DRAWING NO. **55010401-103-1** SHEET **1/1**

CAD FILE 55010401103110