

LEGEND  $\diamond$  = KEY PRODUCT CHARACTERISTICS



### PART NUMBER SYSTEM

**SERIES PREFIX**

Q = Series Prefix

**CONTACT TYPE**

M2 = Tip/Sleeve - Mono

**ORIENTATION**

R = RIGHT ANGLE

**SHELL FINISH**

BLANK = NICKEL PLATED  
 B = BLACK COATED  
 C = BLACK CHROMED

**CONTACT PLATING**

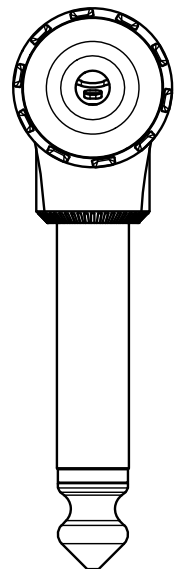
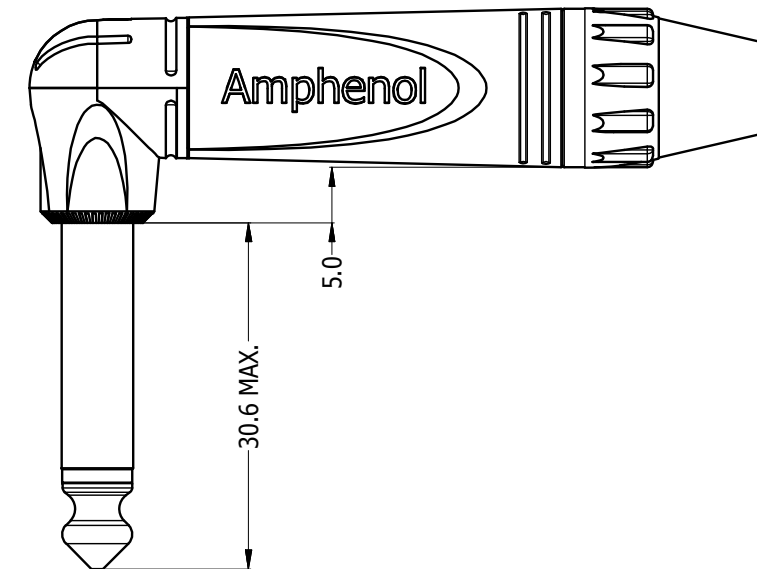
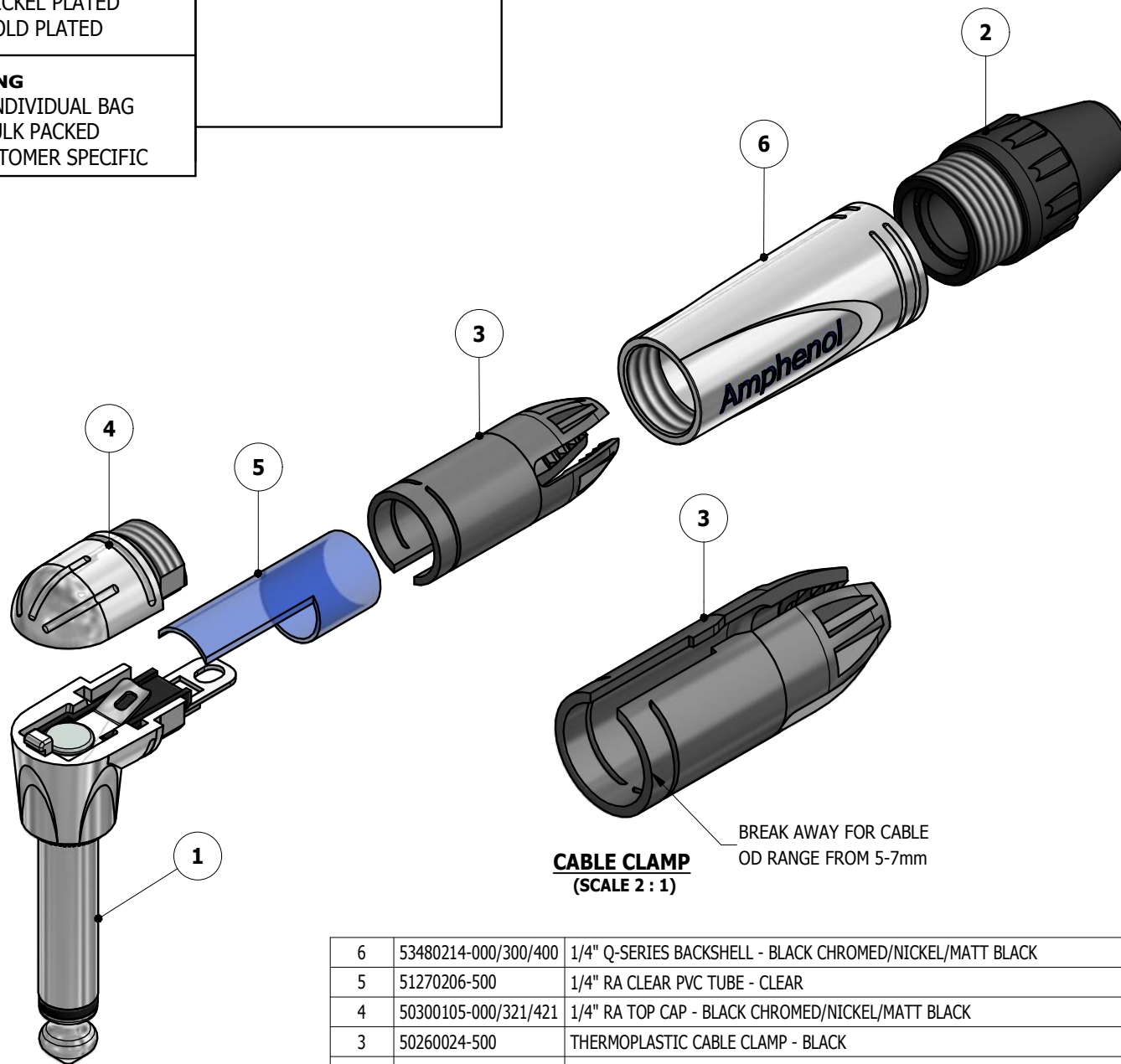
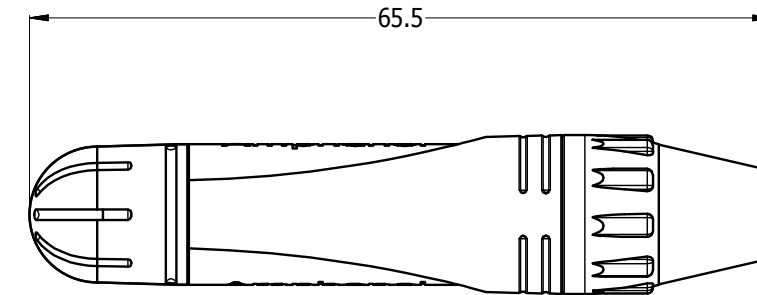
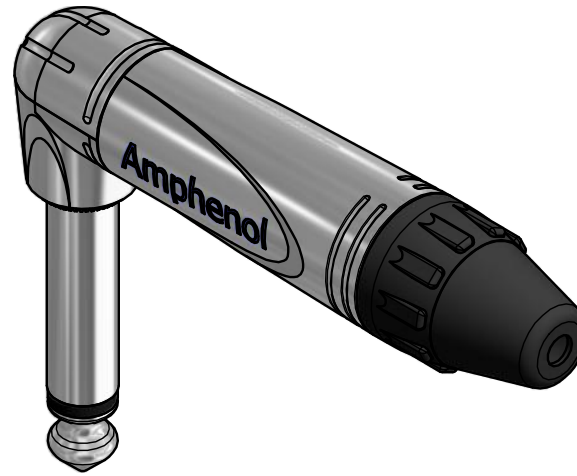
BLANK = NICKEL PLATED  
 AU = GOLD PLATED

**PACKAGING**

BLANK = INDIVIDUAL BAG  
 BULK = BULK PACKED  
 xxx = CUSTOMER SPECIFIC

**QM2Rx-AU xxx**

REVISION HISTORY				
REV	DESCRIPTION	DATE	BY	CHG No
0	FIRST ISSUED	24/01/20	MH	----



ITEM	PART NUMBER	DESCRIPTION	QTY
6	53480214-000/300/400	1/4" Q-SERIES BACKSHELL - BLACK CHROMED/NICKEL/MATT BLACK	1
5	51270206-500	1/4" RA CLEAR PVC TUBE - CLEAR	1
4	50300105-000/321/421	1/4" RA TOP CAP - BLACK CHROMED/NICKEL/MATT BLACK	1
3	50260024-500	THERMOPLASTIC CABLE CLAMP - BLACK	1
2	50440054-500	THERMOPLASTIC BACKSHELL - BLACK	1
1	50310067-*00/*03/*04	1/4" RA MONO PLUG INSERT ASSY - Au/SI BLACK CHROMED/NICKEL/MATT BLACK	1

UNLESS OTHERWISE SPECIFIED TOLERANCE TO BE	
LINEAR	ANGULAR
X ± 0.50	X' ± 1
X.X ± 0.25	X.X' ± 30'
X.XX ± 0.1	X.XX" ± 15'

THIS DOCUMENT IS THE PROPERTY OF AMPHENOL AUSTRALIA PTY. LTD. NO PART THEREOF MAY BE REPRODUCED AND USED WITHOUT THE PRIOR WRITTEN CONSENT OF THE OWNER

MATERIAL: REFER TO COMPONENTS

FINISH: REFER TO PN SYSTEM

DO NOT SCALE

**Amphenol** Amphenol Australia Pty.Ltd.  
 22 Industry Blvd, Carrum Downs, VIC 3201

**1/4" RA MONO PLUG Q-SERIES CONNECTOR ASSY**

PART No: REFER TO PN SYSTEM

DRAWING NO. **55010402-103-1** SHEET **1/1**

CAD FILE 55010402103110

DIMENSIONS IN MILLIMETRES

THIRD ANGLE PROJECTION

SCALE: **3:2** SIZE: **A3**