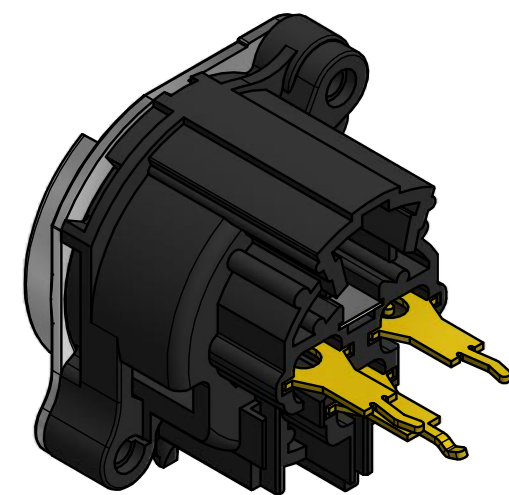
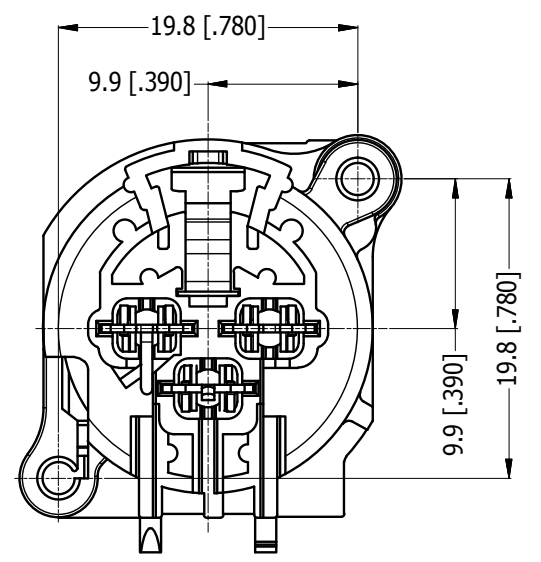
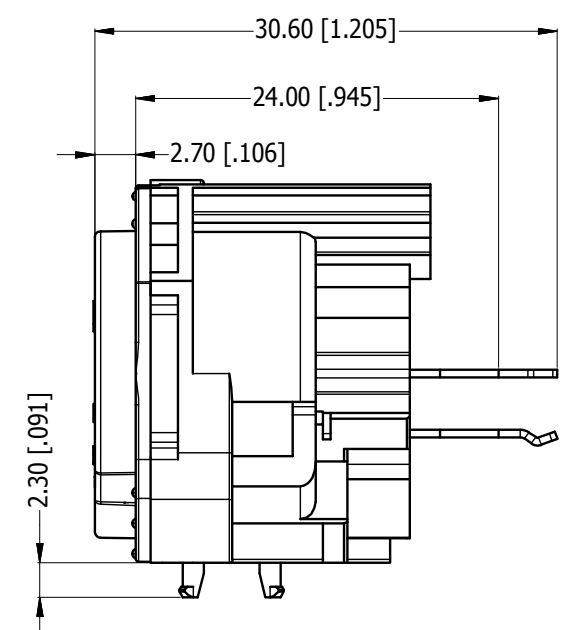
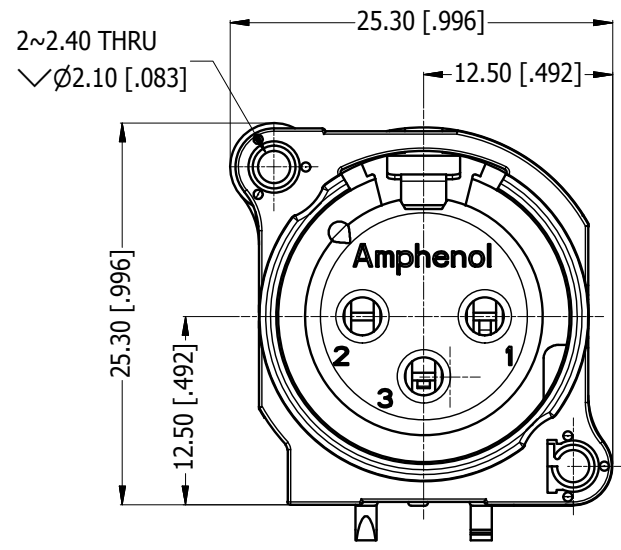
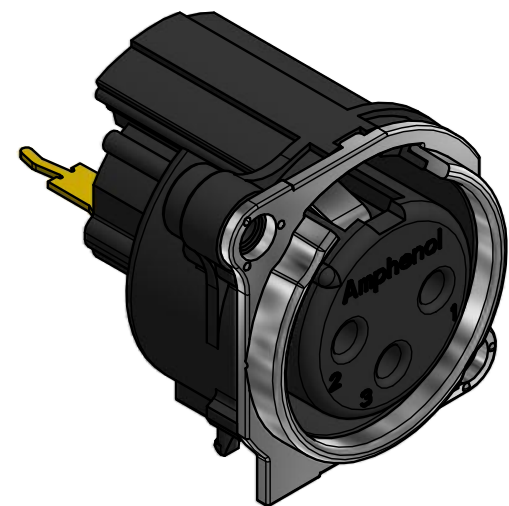


LEGEND  $\diamond$  = KEY PRODUCT CHARACTERISTICS

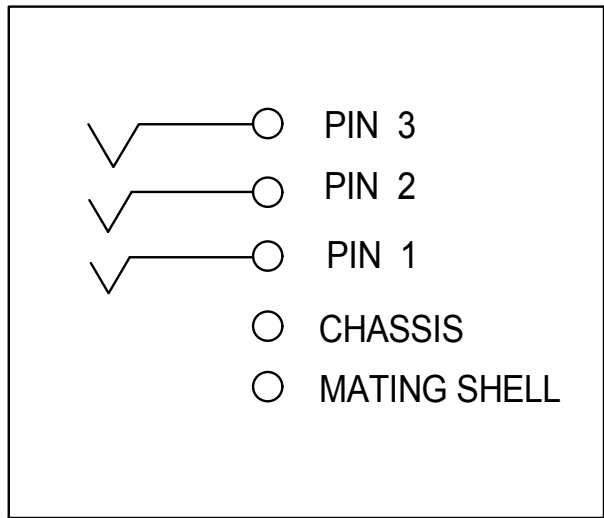


REVISION HISTORY				
REV	DESCRIPTION	DATE	BY	CHG/No
0	FIRST ISSUE	31/01/18	MH	---

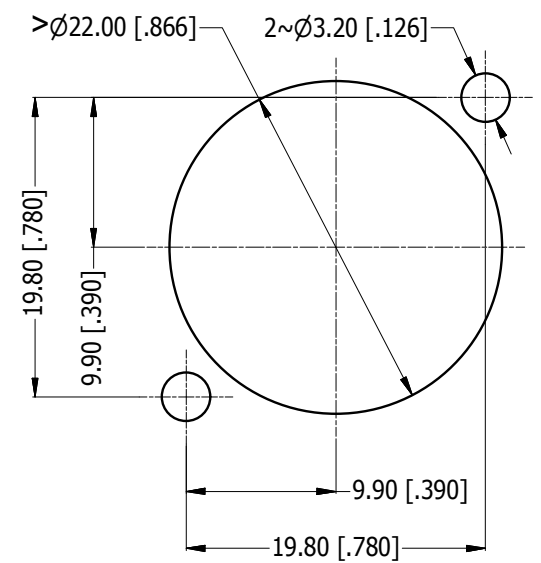
A  
B  
C  
D  
E  
F



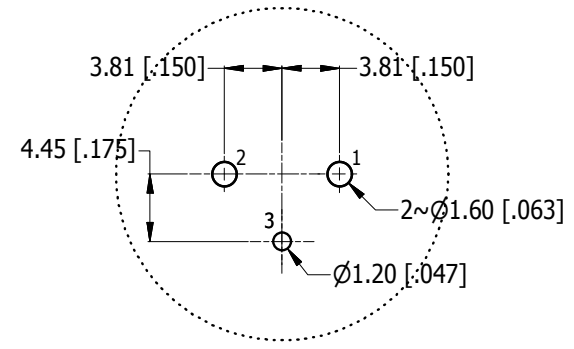
**ISO VIEW**



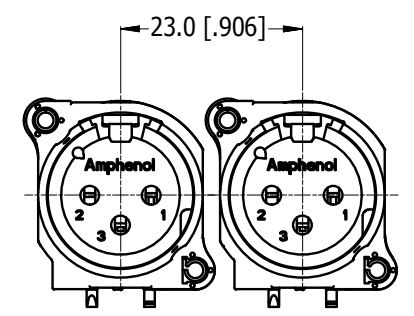
**SCHEMATIC CHART**



**PANEL CUT OUT  
REAR VIEW**



**PCB-LAYOUT  
COMPONENT SIDE  
TOLERANCE:  $\pm 0.05\text{mm} [0.002\text{"]}$**



**MIN MOUNTING PITCH  
SCALE 1:1**

PART NUMBER TABLE	
PART NUMBER	METAL FLANGE FINISH
AC3FBVL-AU-PRE	SATIN NICKEL
AC3FBVL-AU-PRE	MATT BLACK

UNLESS OTHERWISE SPECIFIED TOLERANCE TO BE		THIS DOCUMENT IS THE PROPERTY OF AMPHENOL AUSTRALIA PTY. LTD. NO PART THEREOF MAY BE REPRODUCED AND USED WITHOUT THE PRIOR WRITTEN CONSENT OF THE OWNER			
LINEAR	ANGULAR	MATERIAL:	DRN:	DATE:	TITLE:
X $\pm 0.5$	X' $\pm 1$	<b>REFER TO COMPONENT</b>	MH	06-04-18	<b>LATCHLESS VERTICAL FEMALE CUSTOMER DRAWING</b>
X.X $\pm 0.2$	X.X' $\pm 30'$	FINISH: <b>REFER TO COMPONENT</b>	M.H	06-04-18	
X.XX $\pm 0.1$	X.XX' $\pm 15'$	DO NOT SCALE	P.M	06-04-18	
DIMENSIONS IN MILLIMETRES		SCALE: <b>2:1</b>	SIZE: <b>A3</b>	PART No: <b>REFER TO PN TABLE</b>	

<b>Amphenol</b> Amphenol Australia Pty.Ltd, 22 Industry Blvd, Carrum Downs, VIC 3201	
CAD FILE: 55011305000220	DRAWING NO. <b>55011305-000-2</b>
SHEET <b>2/2</b>	