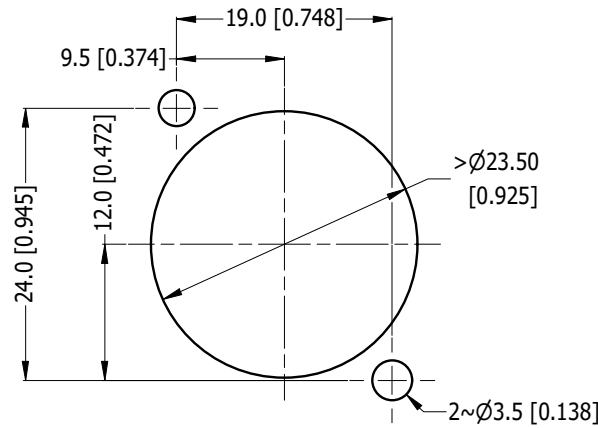
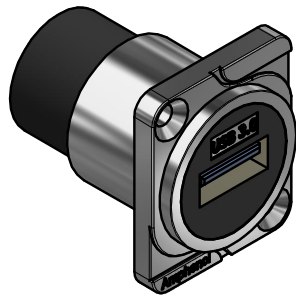
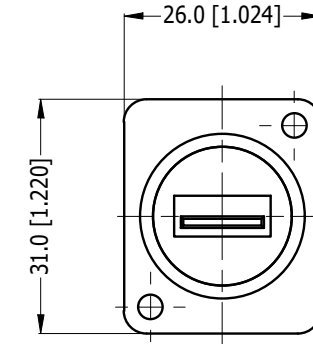
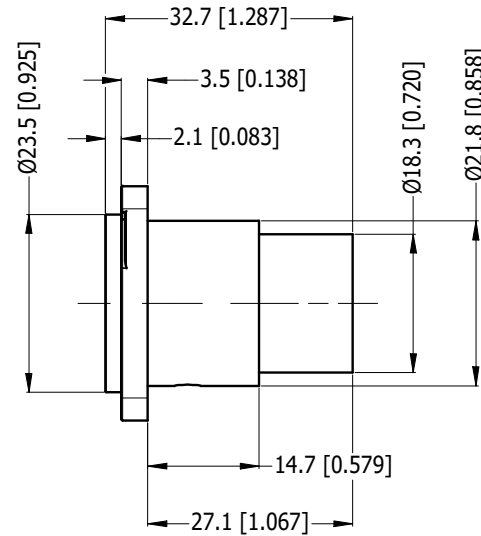
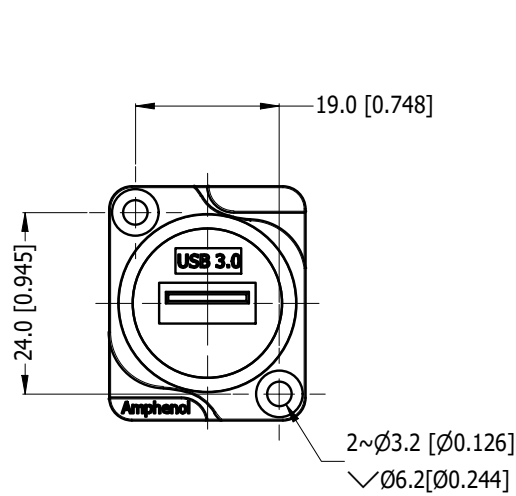


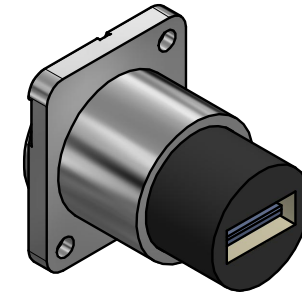
LEGEND = KEY PRODUCT CHARACTERISTICS

REVISION HISTORY

REV	DESCRIPTION	DATE	BY	ECN
1	FIRST ISSUE	19/02/18	MH	----



PANEL CUT OUT - REAR MOUNT
(SCALE 2:1)



PART NUMBER	SHELL FINISH
AC-USB3-AA	NICKEL PLATED
AC-USB3-AAB	MATT BLACK COATING

UNLESS OTHERWISE SPECIFIED TOLERANCE TO BE	
LINEAR	ANGULAR
X ± 0.5	X' ± 1
X.X ± 0.1	X.X' ± 30'
X.XX ± 0.1	X.XX" ± 15'

BREAK ALL SHARP EDGES AND REMOVE ALL BURRS

DO NOT SCALE

DIMENSIONS IN MILLIMETRES

THIS DOCUMENT IS THE PROPERTY OF AMPHENOL AUSTRALIA PTY. LTD.
NO PART THEREOF MAY BE REPRODUCED AND USED
WITHOUT THE PRIOR WRITTEN CONSENT OF THE OWNER

MATERIAL: **SEE COMPONENT**

FINISH: **SEE COMPONENT**

THIRD ANGLE PROJECTION

DRN: M.H DATE: 19/02/18

CKD: M.H DATE: 19/02/18

APP'D: P.M DATE: 19/02/18

SCALE: **1:1** SIZE: **A4**



Amphenol Australia Pty.Ltd,
22 Industry Boulevard, Carrum Downs, VIC 3201

TITLE:
**USB3 D-TYPE
PANEL MOUNT
CUSTOMER DWG**

PART No.
SEE TABLE

DRAWING No. **55011293-000-1** SHEET **2/2**

CAD FILE: 55011293000111