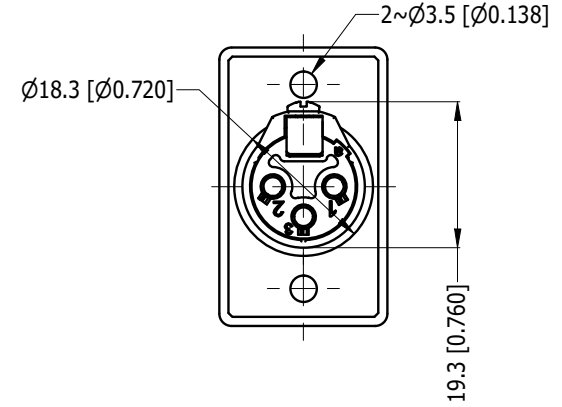
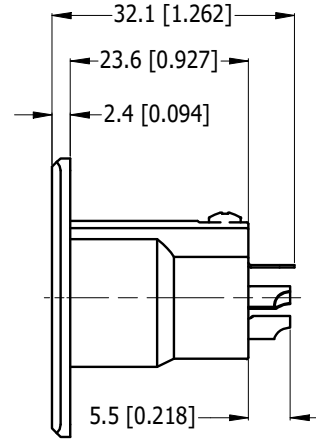
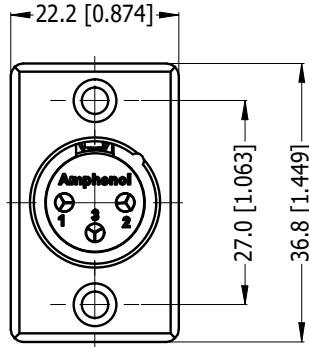
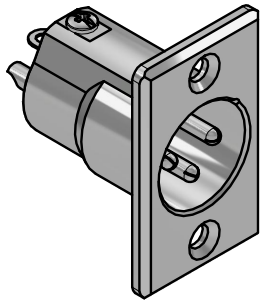


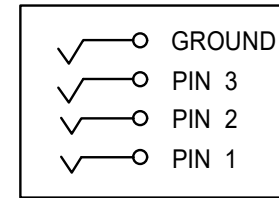
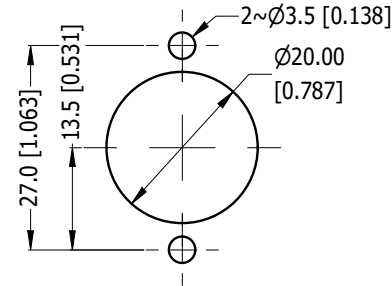
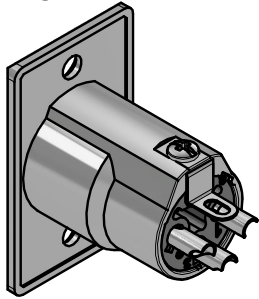
LEGEND  = KEY PRODUCT CHARACTERISTICS

REVISION HISTORY

REV	DESCRIPTION	DATE	BY	ECN
0	FIRST ISSUE	09/06/21	MH	----



3D VIEWS



NOTES: ADD "BULK" TO THE PN FOR BULK PACKING, FOR EXAMPLE - AC3MPNZ BULK

RECOMMENDED PANEL CUT OUT

SCHEMATIC CHART

PART NUMBER	SHELL FINISH	STAMPED CONTACT FINISH
AC3MPNZ	NICKEL PLATED	SILVER PLATED
AC3MPNZB	MATT BLACK COATING	SILVER PLATED
AC3MPNZ-AU	NICKEL PLATED	GOLD PLATED
AC3MPNZB-AU	MATT BLACK COATING	GOLD PLATED

UNLESS OTHERWISE SPECIFIED TOLERANCE TO BE	
LINEAR	ANGULAR
X ± 0.5	X' ± 1
X.X ± 0.2	X.X' ± 30'
X.XX ± 0.1	X.XX" ± 15'

THIS DOCUMENT IS THE PROPERTY OF AMPHENOL AUSTRALIA PTY. LTD. NO PART THEREOF MAY BE REPRODUCED AND USED WITHOUT THE PRIOR WRITTEN CONSENT OF THE OWNER



Amphenol Australia Pty.Ltd, 22 Industry Boulevard, Carrum Downs, VIC 3201

BREAK ALL SHARP EDGES AND REMOVE ALL BURRS

MATERIAL: **SEE COMPONENT**

DRN: M.H DATE: 09/06/21

TITLE: **AC3MPNZ PANEL MOUNT CUSTOMER DWG**

PART No. **SEE TABLE**

DO NOT SCALE

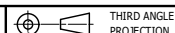
FINISH: **SEE TABLE**

CKD: M.H DATE: 09/06/21

APP'D: P.M DATE: 09/06/21

DRAWING No. **55011453-000-1** SHEET **2/3**

DIMENSIONS IN MILLIMETRES



SCALE: **1:1** SIZE: **A4**

CAD FILE: 55011453000110

**55011453-000-1**