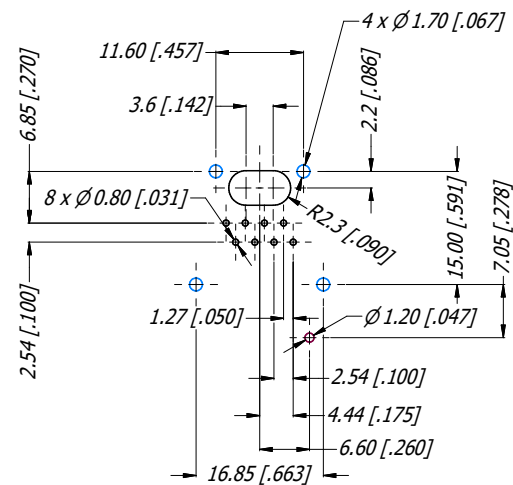


METAL FLANGE ASSEMBLED AT PANEL FRONT SIDE

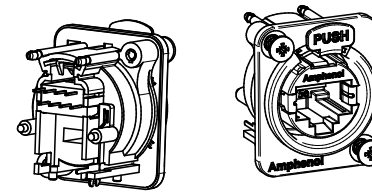
METAL FLANGE ASSEMBLED AT PANEL REAR SIDE

FRONT PANEL



**PCB LAYOUT
3:2
(CONNECTOR REAR VIEW)**

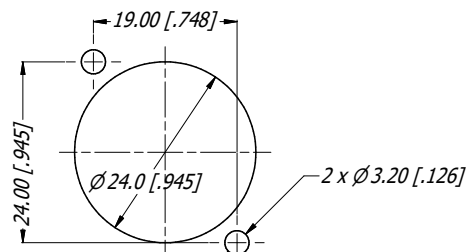
- RJ45 CONTACTS
- RJ45 SHELL GROUND CONTACT
- CONNECTOR LOCATION PINS



**3D VIEW
1:1**

TABLE OF PART NUMBERS

PART NUMBER	TRANSMISSION CLASS	FRONT SHELL FINISH
RJX8FD6VB	CAT6	NICKEL
RJX8FD5VB	CAT5e	NICKEL
RJX8FE5VB	CAT5e	BLACK
RJX8FD3VB	CLASS D	NICKEL
RJX8FE3VB	CLASS D	BLACK



**PANEL CUT OUT
3:2
(CONNECTOR FRONT VIEW)**

SPECIFICATIONS:

1. MATERIALS:

- PLASTIC INSERT & HOUSING: HIGH TEMPERATURE THERMOPLASTIC FLAMMABILITY RATING UL94V-0 DSM Stanyl, 30% BLACK
- FRONT METAL SHELL: ZINC ALLOY ZAMAK 3, NICKEL PLATE.
- CONTACTS: PHOSPHORE BRONZE, 1.27 µm GOLD PLATE ON MATING SURFACES, 1.27 µm NICKEL MIN UNDERPLATE. 3.81 µm MIN MATTE TIN ON CONTACT TAILS.
- LATCH LOCK AND SPRING: SPRING STEEL, NICKEL PLATE.
- EMI/RFI HOOD: BRASS, TIN PLATE

2. ELECTRICAL CHARACTERISTICS:

- RATED VOLTAGE: 125 VAC
- TYPICAL CONTACT RESISTANCE: 20 mOhm
- INSULATION RESISTANCE: >500 MOhm
- DIELECTRIC STRENGTH: 1000 VAC, 60 SECONDS
- TRANSMISSION SPECIFICATION/CLASS: COMPLIES WITH CAT6, CAT5e 1000 BASE-T OR CLASS D 10/100 BASE-T PERTIA/ EIA-568B AND ISO 11801

- PoE+ COMPLIES WITH 802.3at Type 2
- CAT5e AND CAT6 SUPPORT PoE TYPES 1 TO 4 AND IEC60603-7 COMPLIANT



UNLESS OTHERWISE SPECIFIED TOLERANCE TO BE

LINEAR	ANGULAR
X ± 0.5 X.X ± 0.1 X.X ± 0.05	X° ± 1 X.X° ± 30° X.XX° ± 15°

DO NOT SCALE

DIMENSIONS IN MILLIMETRES

THIS DOCUMENT IS THE PROPERTY OF AMPHENOL AUSTRALIA PTY. LTD.
NO PART THEREOF MAY BE REPRODUCED AND USED WITHOUT THE PRIOR WRITTEN CONSENT OF THE OWNER.

MATERIAL:	DRN: T.N	DATE: 06/03/14
REFER SPECIFICATION	CKD: P.M	DATE: 06/03/14
FINISH:	APP'D: P.M	DATE: 06/03/14
SCALE: 3:2	SIZE: A3	

Amphenol

**XLrnet CONNECTOR
D TYPE VERTICAL
CUSTOMER DRAWING**

Amphenol Australia Pty Ltd,
22 Industry Blvd, Carrum Downs
VIC 3201 Australia

PART No:	REV
REFER TO TABLE OF PART NUMBERS	4
DRAWING No.	SHEET
55010959-000	1/1