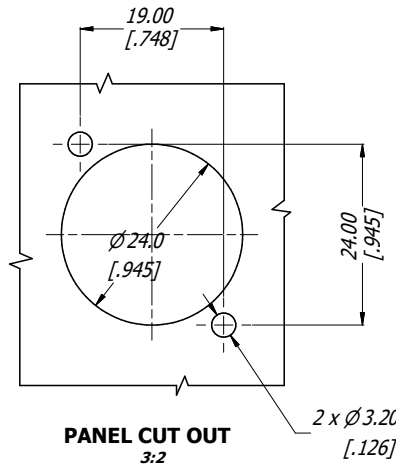


3D VIEW
1:1



SPECIFICATIONS:

1. ELECTRICAL CHARACTERISTICS:

- CAT5e AND CAT6 SUPPORT PoE TYPES 1 TO 4 AND IEC60603-7 COMPLIANT

TABLE OF PART NUMBERS

PART No.	METAL SHELL FINISH	TRANSMISSION CLASS
RJXS8FD5I	NICKEL	CAT5e
RJXS8FD6I	NICKEL	CAT6

UNLESS OTHERWISE SPECIFIED TOLERANCE TO BE		THIS DOCUMENT IS THE PROPERTY OF AMPHENOL AUSTRALIA PTY. LTD. NO PART THEREOF MAY BE REPRODUCED AND USED WITHOUT THE PRIOR WRITTEN CONSENT OF THE OWNER.			Amphenol		Amphenol Australia Pty.Ltd, 22 Industry Blvd, Carrum Downs VIC 3201 Australia	
LINEAR	ANGULAR	MATERIAL:	DRN: T.N	DATE: 17/04/19	TITLE:	PART No:	REV	
X ±0.5	X' ±1	REFER SPECIFICATION	CKD: P.M	DATE: 17/04/19	XLRnet D TYPE CAT6 PUNCHDOWN IDC CUSTOMER DRAWING	REFER TABLE P/No	2	
X.X ±0.1	X.X' ±30°	DO NOT SCALE	APP'D: P.M	DATE: 17/04/19		DRAWING No.	SHEET	
X.X ±0.05	X.X.X' ±15°	FINISH:	SCALE: 3:2	SIZE: A3		55011364-000-2	2/2	
BREAK ALL SHARP EDGES AND REMOVE ALL BURRS		DIMENSIONS IN MILLIMETRES		THIRD ANGLE PROJECTION				