

PCB LAYOUT
3:2
(CONNECTOR REAR VIEW)

- RJ45 CONTACTS
- RJ45 SHELL GROUND CONTACT
- CONNECTOR LOCATION PINS

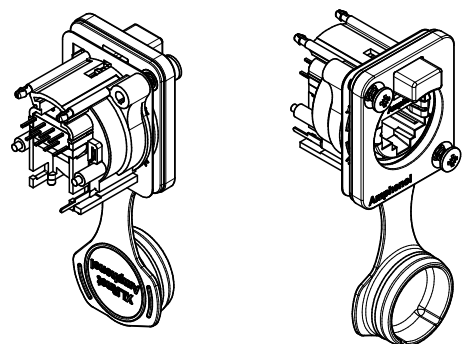
SPECIFICATIONS:

1. ELECTRICAL CHARACTERISTICS:

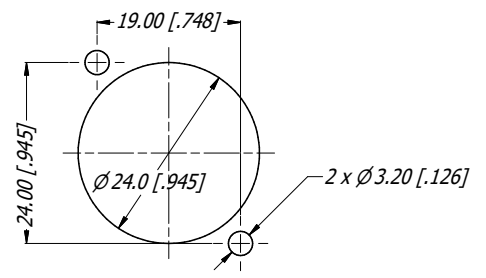
- CAT5e AND CAT6 SUPPORT PoE TYPES 1 TO 4 AND IEC60603-7 COMPLIANT

TABLE OF PART NUMBERS

PART No.	FINISH	TRANS. CLASS
RJXS8FG3VB	NICKEL PLATE	CLASS D
RJXS8FG5VB	NICKEL PLATE	CAT5e
RJXS8FG6VB	NICKEL PLATE	CAT6



3D VIEW
1:1



PANEL CUT OUT
3:2
(CONNECTOR FRONT VIEW)



UNLESS OTHERWISE SPECIFIED TOLERANCE TO BE		THIS DOCUMENT IS THE PROPERTY OF AMPHENOL AUSTRALIA PTY. LTD. NO PART THEREOF MAY BE REPRODUCED AND USED WITHOUT THE PRIOR WRITTEN CONSENT OF THE OWNER.	
LINEAR	ANGULAR	MATERIAL:	DRN: T.N DATE: 04/03/20
X ±0.5	X° ±1	REFER SPECIFICATION	CKD: P.M DATE: 04/03/20
X.X ±0.1	X.X° ±30°		APP'D: P.M DATE: 04/03/20
X.X ±0.05	X.XX° ±15°	DO NOT SCALE	FINISH:
BREAK ALL SHARP EDGES AND REMOVE ALL BURRS		DIMENSIONS IN MILLIMETRES	THIRD ANGLE PROJECTION
		SCALE: 3:2	SIZE: A3

Amphenol Amphenol Australia Pty.Ltd, 22 Industry Blvd, Carrum Downs VIC 3201 Australia

Amphenol
XLRnet CONNECTOR
VERT IP54 WITH CAP
CUSTOMER DRAWING

PART No:	REV
SEE TABLE OF P/No.	2
DRAWING No.	SHEET
55011396-000	2/2