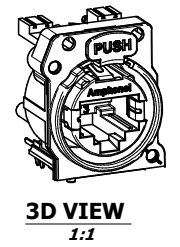
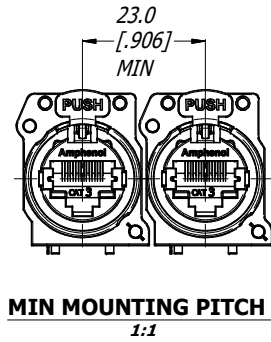
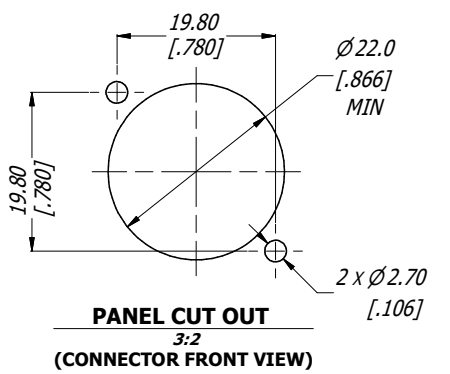
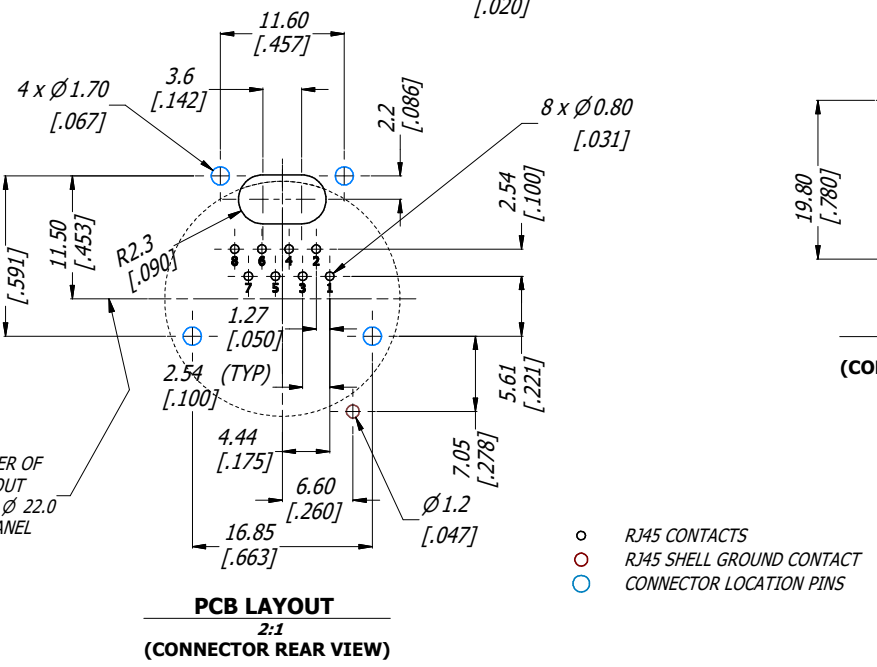


TABLE OF PART NUMBERS

PART No.	TRANSMISSION CLASS	FRONT SHELL MATERIAL
RJX8FA3VB	CLASS D	PLASTIC BLACK
RJX8FB3VB	CLASS D	METAL NICKEL PLATED
RJX8FA5VB	CAT5e	PLASTIC BLACK
RJX8FB5VB	CAT5e	METAL NICKEL PLATED
RJX8FA6VB	CAT6	PLASTIC BLACK
RJX8FB6VB	CAT6	METAL NICKEL PLATED



SPECIFICATIONS:

1. MATERIALS:

- PLASTIC INSERT & HOUSING: HIGH TEMPERATURE THERMOPLASTIC FLAMMABILITY RATING UL94V-0 DSM STANYL, 30% BLACK
- FRONT SHELL: METAL: ZINC ALLOY ZAMAK 3, NICKEL PLATE (B TYPE) OR PLACTIC (A TYPE).
- CONTACTS: PHOSPHORE BRONZE, 1.27 um GOLD PLATE ON MATING SURFACES, 1.27 um NICKEL MIN UNDERPLATE. 3.81 um MIN MATTE TIN ON CONTACT TAILS.
- LATCH LOCK AND SPRING: SPRING STEEL, NICKEL PLATE.

2. ELECTRICAL CHARACTERISTICS:

- RATED VOLTAGE: 125 VAC
- TYPICAL CONTACT RESISTANCE: 20 mOhm
- INSULATION RESISTANCE: >500 MOhm
- DIELECTRIC STRENGTH: 1000 VAC, 60 SECONDS
- TRANSMISSION SPECIFICATION/CLASS: COMPLIES WITH CLASS D PER TIA/EIA 568B OR CAT5e & CAT 6 PER TIA/EIA-568-C.2
- PoE+ COMPLIES WITH 802.3at Type 2 (SEE PSE PINOUT ALTERNATIVE TABLE)
- CAT5e AND CAT6 SUPPORT PoE TYPES 1 TO 4 AND IEC60603-7 COMPLIANT

PSE PINOUT ALTERNATIVES

CONDUCTOR	Alternative-A (MDI-X)	Alternative-A (MDI)	Alternative-A (AII)
1	Negative V _{PSE}	Positive V _{PSE}	
2	Negative V _{PSE}	Positive V _{PSE}	
3	Positive V _{PSE}	Negative V _{PSE}	
4			Positive V _{PSE}
5			Positive V _{PSE}
6	Positive V _{PSE}	Negative V _{PSE}	
7			Negative V _{PSE}
8			Negative V _{PSE}



UNLESS OTHERWISE SPECIFIED TOLERANCE TO BE:		THIS DOCUMENT IS THE PROPERTY OF AMPHENOL AUSTRALIA PTY. LTD. NO PART THEREOF MAY BE REPRODUCED AND USED WITHOUT THE PRIOR WRITTEN CONSENT OF THE OWNER.			Amphenol		Amphenol Australia Pty.Ltd, 22 Industry Blvd, Carrum Downs VIC 3201 Australia	
LINEAR	ANGULAR	MATERIAL:	DRN:	T.N	DATE:	TITLE:		PART No:
X ± 0.5	X' ± 1	REFER SPECIFICATION	CKD:	P.M	DATE:	XLrnet CONNECTOR RJ45 VERTICAL		REFER TO TABLE OF PART NUMBERS
X.X ± 0.1	X.X' ± 30°	DO NOT SCALE	APP'D:	P.M	DATE:	WITHOUT LED & EMI SHIELD		55010955-000
X.X ± 0.05	X.XX" ± 15'	DIMENSIONS IN MILLIMETRES	SCALE:	3:2	SIZE:	A3		REV 2
BREAK ALL SHARP EDGES AND REMOVE ALL BURRS		THIRD ANGLE PROJECTION		SHEET 5/7				