
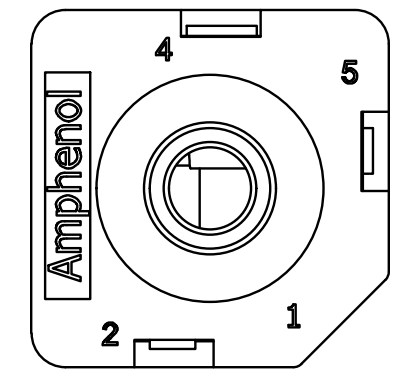
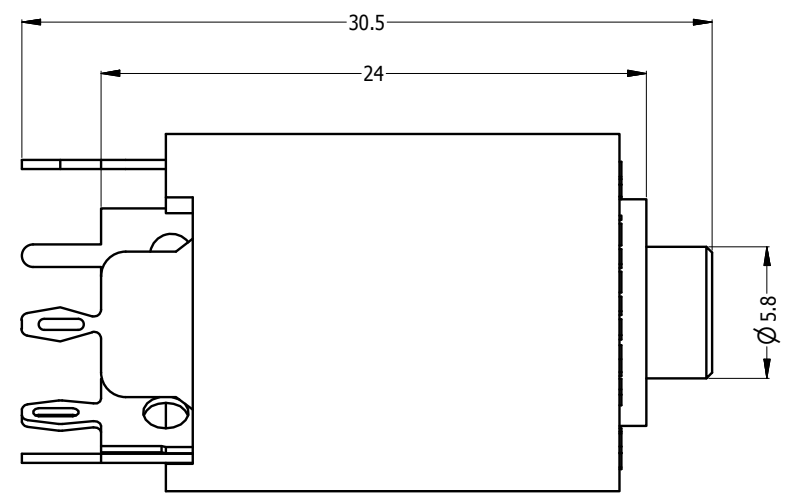
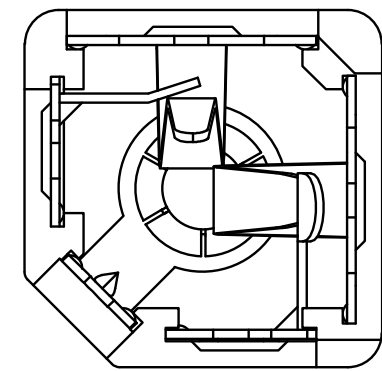
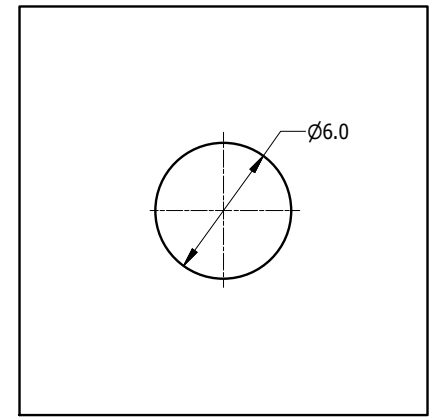
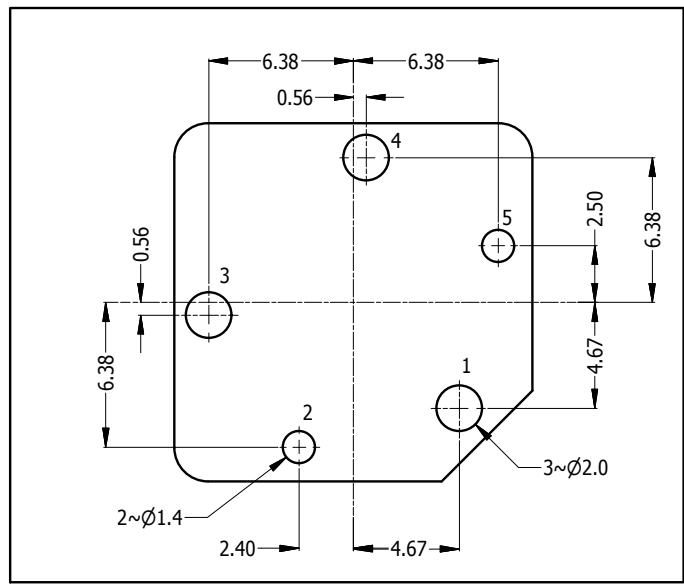


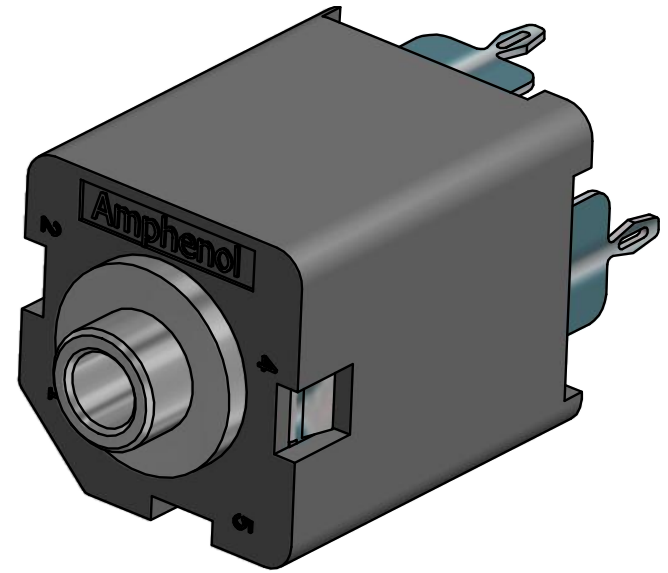
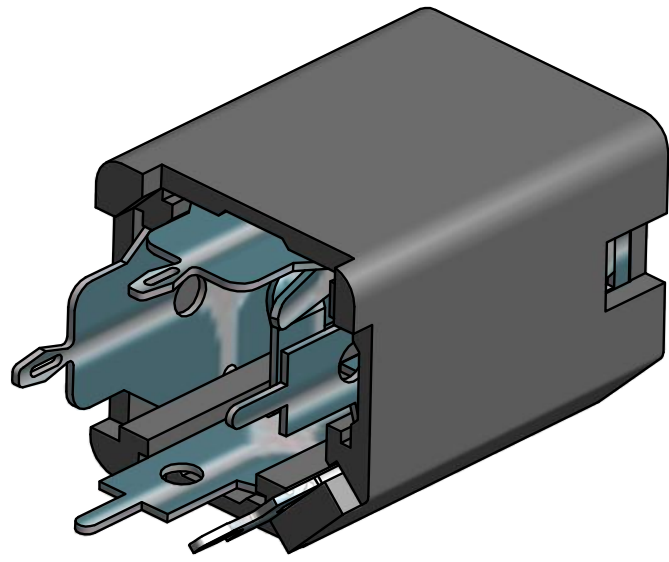
LEGEND  = KEY PRODUCT CHARACTERISTICS



REVISION HISTORY				
REV	DESCRIPTION	DATE	BY	CHG/No
0	FIRST ISSUE	30/07/08	B.Z	---
1	CHANGE LOGO LOCATION	15/11/10	MH	----



PANEL CUTOUT



PCB LAYOUT
(CONNECTOR SIDE)

PART NUMBER	ACJM-NV35-2	ACJM-NV35-2S	ACJS-NV35-3	ACJS-NV35-3S	ACJS-NV35-5
SCHEMATIC					

<small>UNLESS OTHERWISE SPECIFIED TOLERANCE TO BE</small> <small>LINEAR</small> X ±0.5 <small>X.X</small> ±0.1 <small>X.XX</small> ±0.05 <small>ANGULAR</small> X° ±1 <small>X'X"</small> ±30' <small>X'X'X"</small> ±15'	<small>THIS DOCUMENT IS THE PROPERTY OF AMPHENOL AUSTRALIA PTY. LTD. NO PART THEREOF MAY BE REPRODUCED AND USED WITHOUT THE PRIOR WRITTEN CONSENT OF THE OWNER</small>			Amphenol Amphenol Australia Pty.Ltd, 22 Industry Blvd, Carrum Downs, VIC 3201	
	<small>BREAK ALL SHARP EDGES AND REMOVE ALL BURRS</small> <small>DO NOT SCALE</small> <small>DIMENSIONS IN MILLIMETRES</small>	<small>MATERIAL:</small> REFER TO COMPONENTS <small>FINISH:</small> REFER TO COMPONENTS	<small>DRN:</small> B.Z <small>CKD:</small> M.H <small>APP'D:</small> P.M	<small>DATE:</small> 25/04/08 <small>DATE:</small> 15/11/08 <small>DATE:</small> 15/11/08	<small>TITLE:</small> 3.5mm JACK VERTICAL CUSTOMER DRAWING