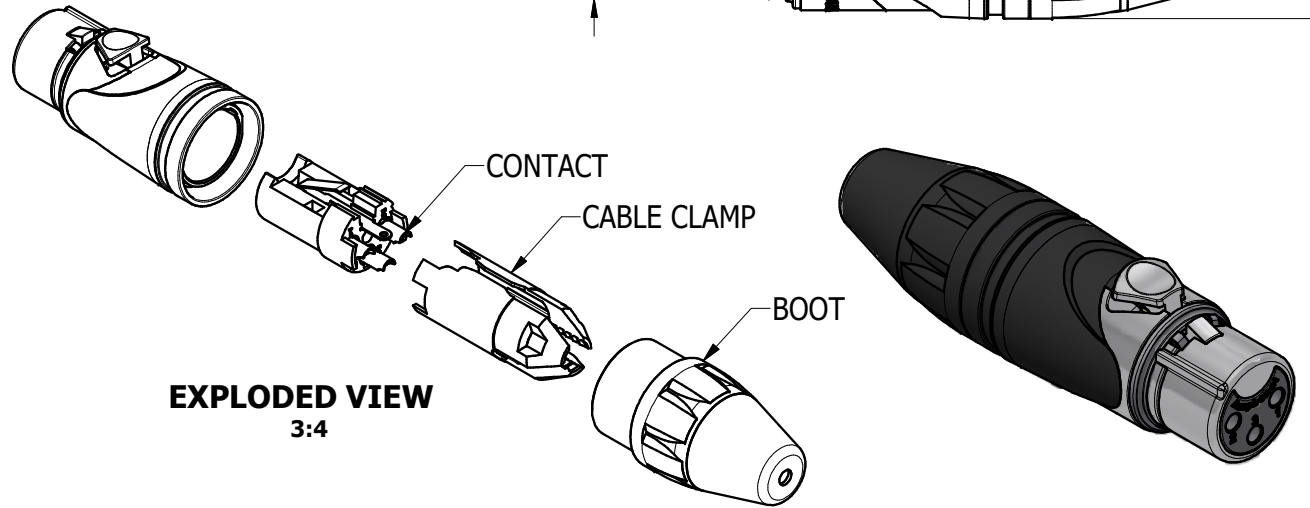
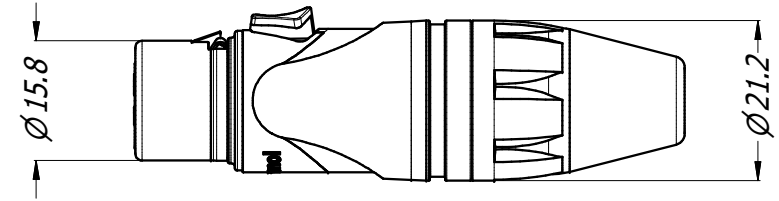
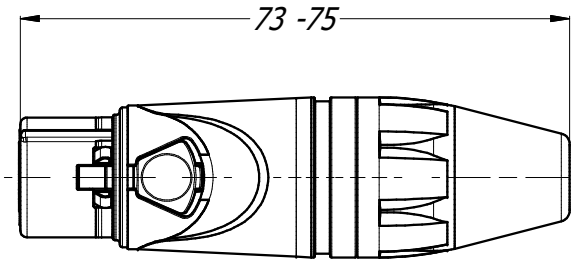
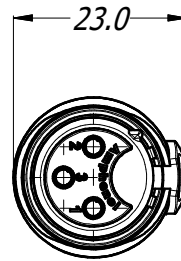


**PART NUMBER BREAKDOWN**

**AXX3FMBJ11-AU BULK**

<b>SERIES PREFIX</b> AXX3F = 3 SOCKET - STAMPED CONTACT AXX3FM = 3 SOCKET - MACHINED CONTACT
<b>SHELL FINISH</b> BLANK = NICKEL PLATED B = BLACK
<b>CABLE CLAMP</b> BLANK = STANDARD J = LARGE
<b>SLEEVE COLOR</b> BLANK (OR 0 CAN BE USE) = BLACK 1 = BROWN 2 = RED 3 = ORANGE 4 = YELLOW 5 = GREEN 6 = BLUE 7 = VIOLET 8 = GREY 9 = WHITE C = CLEAR
<b>BOOT COLOR</b> BLANK (OR 0 CAN BE USE) = BLACK 1 = BROWN 2 = RED 3 = ORANGE 4 = YELLOW 5 = GREEN 6 = BLUE 7 = VIOLET 8 = GREY 9 = WHITE C = CLEAR
<b>CONTACT PLATING</b> BLANK = STANDARD PLATING SILVER OR TIN (REFER TO STANDARD DATA) AU = GOLD PLATE
<b>PACKAGING</b> BLANK = INDIVIDUAL BAGS BULK = BULK PACKED

REVISION HISTORY				
REV	DESCRIPTION	BY	DATE	ECN
1	FIRST ISSUE	TN	14-09-21	9647
2	ADD PN BREAKDOWN	MH	24-10-22	9709
3	UPDATED THE BREAKDOWN	JW	11-04-24	9749



**EXPLODED VIEW**  
3:4

UNLESS OTHERWISE SPECIFIED TOLERANCE TO BE <table border="1"> <thead> <tr> <th>LINEAR</th> <th>ANGULAR</th> </tr> </thead> <tbody> <tr> <td>X ± 0.5</td> <td>X' ± 1</td> </tr> <tr> <td>X.X ± 0.1</td> <td>X.X' ± 30'</td> </tr> <tr> <td>X.X ± 0.05</td> <td>X.X" ± 15'</td> </tr> </tbody> </table>	LINEAR	ANGULAR	X ± 0.5	X' ± 1	X.X ± 0.1	X.X' ± 30'	X.X ± 0.05	X.X" ± 15'	THIS DOCUMENT IS THE PROPERTY OF AMPHENOL AUSTRALIA PTY. LTD. NO PART THEREOF MAY BE REPRODUCED AND USED WITHOUT THE PRIOR WRITTEN CONSENT OF THE OWNER.			<b>Amphenol</b> Amphenol Australia Pty.Ltd, 22 Industry Blvd, Carrum Downs VIC 3201	
	LINEAR	ANGULAR											
X ± 0.5	X' ± 1												
X.X ± 0.1	X.X' ± 30'												
X.X ± 0.05	X.X" ± 15'												
MATERIAL: REFER TO COMPONENT DRN: T.N DATE: 14-09-21 CKD: P.M DATE: 24-10-22	TITLE: <b>XLR FEMALE PLUG                  AXX SERIES- 3 PIN                  CUSTOMER DWG</b>	PART No: <b>REFER TABLE</b>											
DO NOT SCALE FINISH: REFER TO COMPONENT APP'D: P.M DATE: 24-10-22	DIMENSIONS IN MILLIMETRES THIRD ANGLE PROJECTION	SCALE: <b>1:1</b> SIZE: <b>A4</b>	DRAWING No. <b>55011394-000</b>	SHEET <b>2/2</b>									