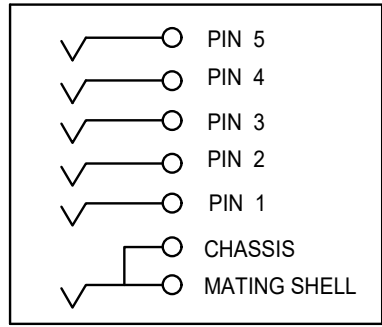
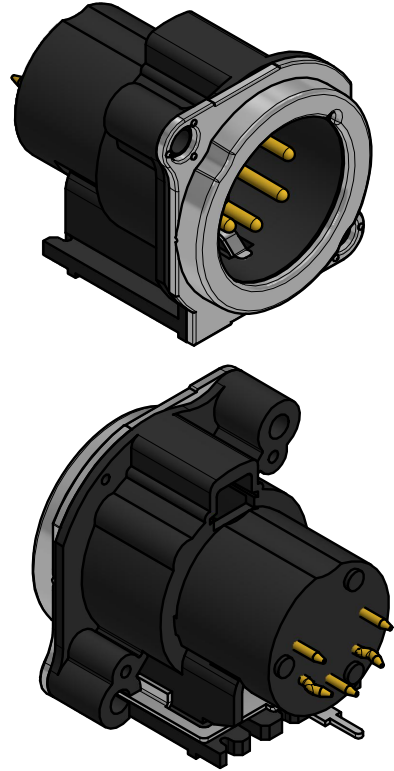
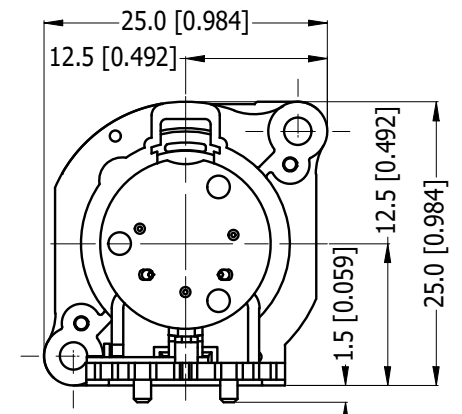
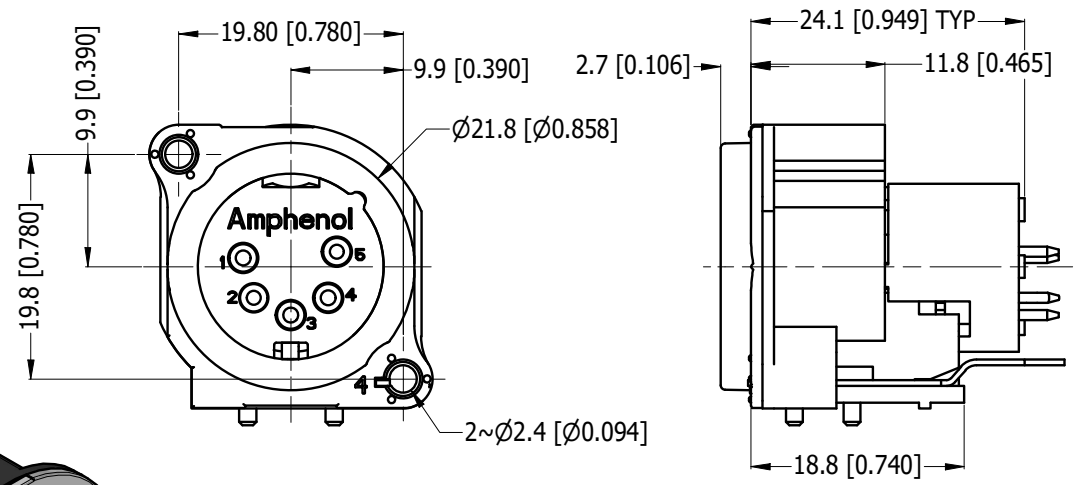
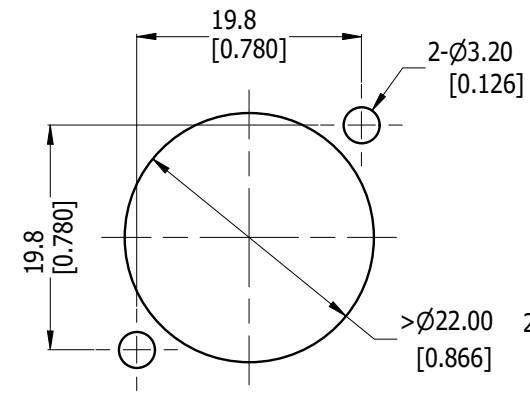


LEGEND = KEY PRODUCT CHARACTERISTICS

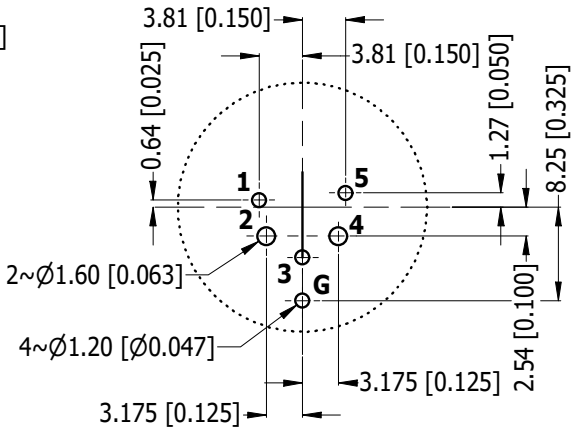
REV	DESCRIPTION	DATE	BY	ECN
1	FIRST ISSUED	17-03-17	MH	----
2	ELIMINATED LATCHING COMPONENT	30-01-18	MH	9468



SCHMATIC CHART



PANEL CUT OUT REAR VIEW



PCB LAYOUT COMPONENT SIDE TOLERANCE: ± 0.05mm [.002"]

PART NUMBER TABLE	
PART NUMBER	METAL FLANGE FINISH
AC5MBV-AU-PRE	SATIN NICKEL
AC5MBVB-AU-PRE	MATT BLACK

UNLESS OTHERWISE SPECIFIED TOLERANCE TO BE		THIS DOCUMENT IS THE PROPERTY OF AMPHENOL AUSTRALIA PTY. LTD. NO PART THEREOF MAY BE REPRODUCED AND USED WITHOUT THE PRIOR WRITTEN CONSENT OF THE OWNER	
LINEAR	ANGULAR	MATERIAL: SEE COMPONENT	DRN: M.H DATE: 14-03-17
X ± 0.5	X' ± 1	FINISH: SEE COMPONENT	CKD: M.H DATE: 30-01-18
X.X ± 0.2	X.X' ± 30'	DO NOT SCALE	APP'D: P.M DATE: 30-01-18
X.XX ± 0.1	X.XX" ± 15'	DIMENSIONS IN MILLIMETRES	SCALE: 3:2 SIZE: A4
BREAK ALL SHARP EDGES AND REMOVE ALL BURRS		THIRD ANGLE PROJECTION	

Amphenol Amphenol Australia Pty.Ltd, 22 Industry Blvd, Carrum Downs, VIC 3201	
TITLE: AC5MBV/B-AU-PRE B-TYPE VERTICAL CUSTOMER DWG	PART No. SEE PN TABLE
DRAWING No. 55011256-000-2	SHEET 2/2
CAD FILE: 55011256000111	