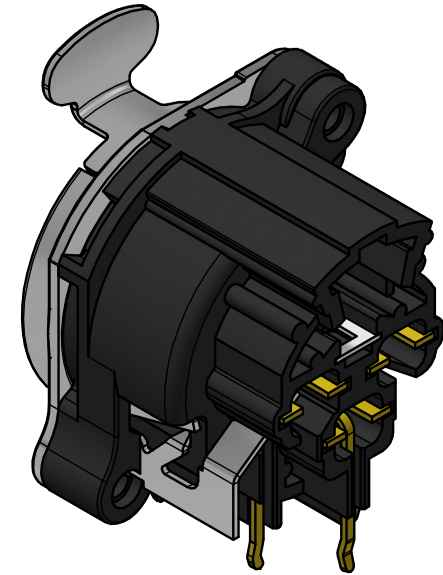
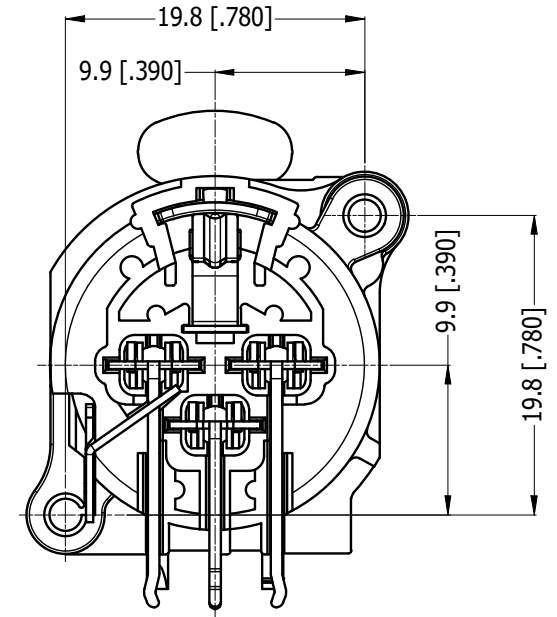
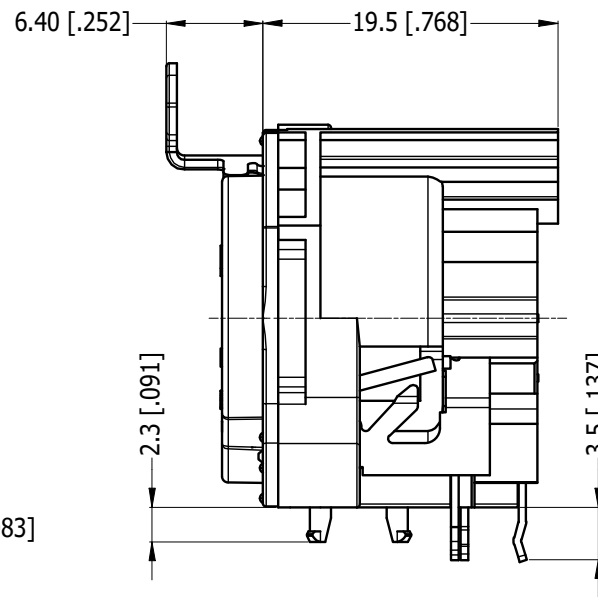
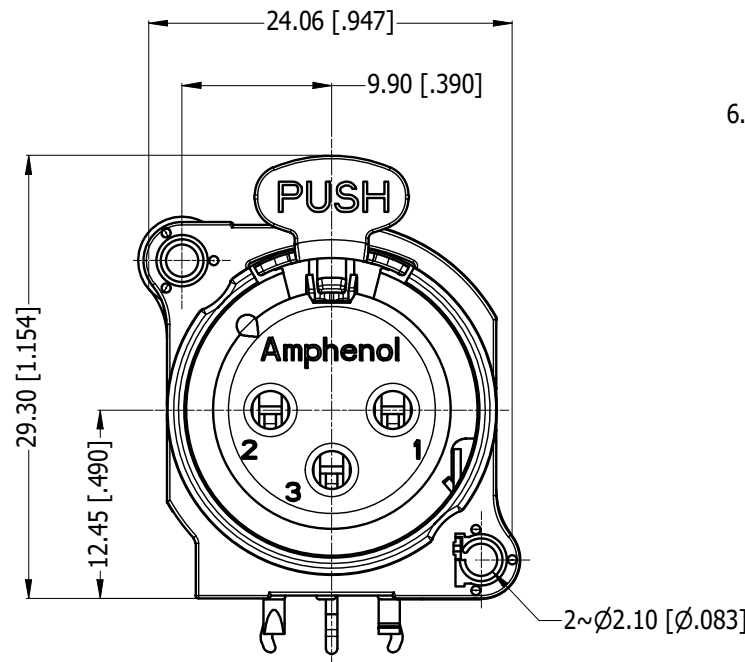
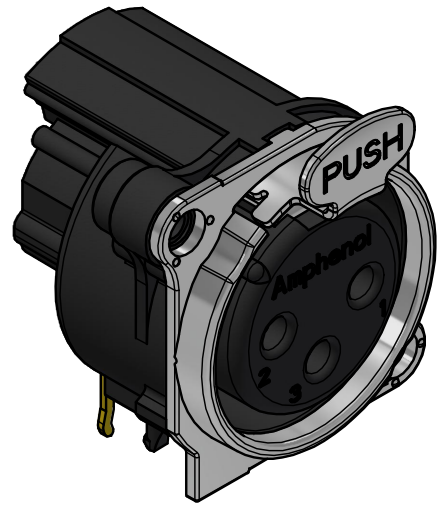
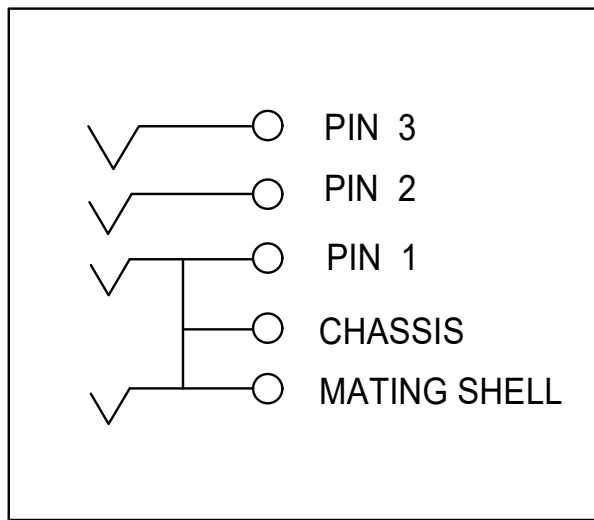


LEGEND = KEY PRODUCT CHARACTERISTICS

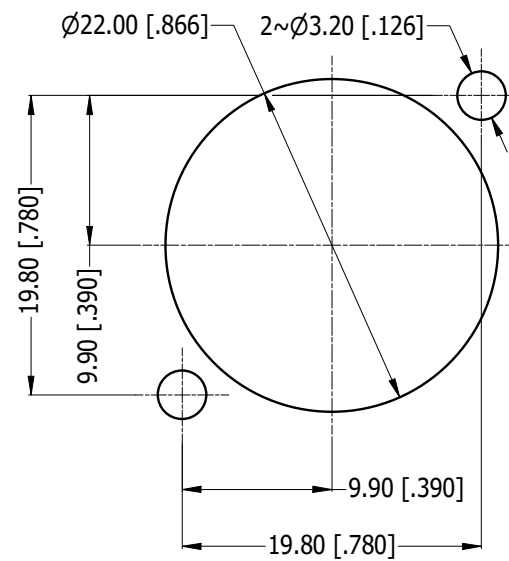
REVISION HISTORY				
REV	DESCRIPTION	DATE	BY	CHG/No
0	FIRST ISSUE	17-03-17	MH	----



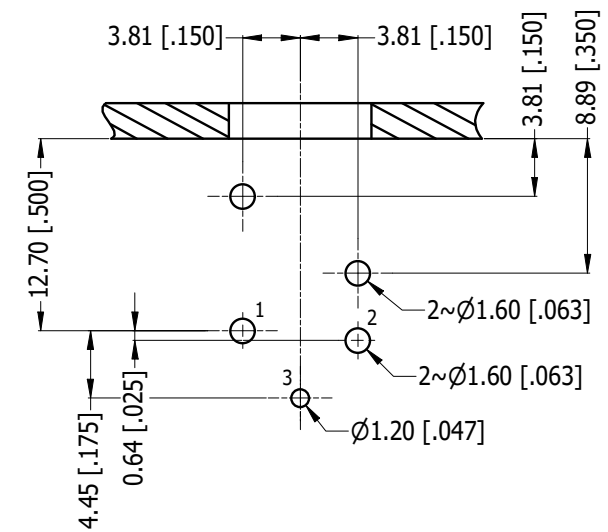
ISO VIEW



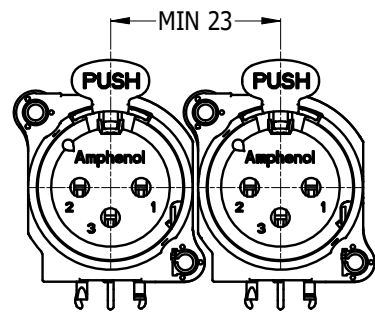
SCHMATIC CHART



PANEL CUT OUT  
REAR VIEW



PCB-LAYOUT  
COMPONENT SIDE  
TOLERANCE: ±0.05mm [.002"]



MIN MOUNTING PITCH  
SCALE 1:1

PART NUMBER TABLE	
PART NUMBER	METAL FLANGE FINISH
AC3FBH1-AU-PRE	SATIN NICKEL
AC3FBHB1-AU-PRE	MATT BLACK

UNLESS OTHERWISE SPECIFIED TOLERANCE TO BE		THIS DOCUMENT IS THE PROPERTY OF AMPHENOL AUSTRALIA PTY. LTD. NO PART THEREOF MAY BE REPRODUCED AND USED WITHOUT THE PRIOR WRITTEN CONSENT OF THE OWNER			Amphenol Australia Pty.Ltd. 22 Industry Blvd, Carrum Downs, VIC 3201	
LINEAR	ANGULAR	MATERIAL: REFER TO COMPONENT	DRN: MH	DATE: 17-03-17	TITLE: AC3FBH1-AU-PRE HORIZONTAL FEMALE CUSTOMER DRAWING	PART No: AC3FBH1-AU-PRE
X ±0.5	X' ±1	BREAK ALL SHARP EDGES AND REMOVE ALL BURRS	CKD: M.H	DATE: 17-03-17	DRAWING NO. 55011222-000-2	SHEET 2/2
X.X ±0.2	X.X' ±.30'	DO NOT SCALE	APP'D: P.M	DATE: 17-03-17	CAD FILE: 55011222000220	
X.XX ±0.1	X.XX' ±.15'	DIMENSIONS IN MILLIMETRES	SCALE: 2:1	SIZE: A3		