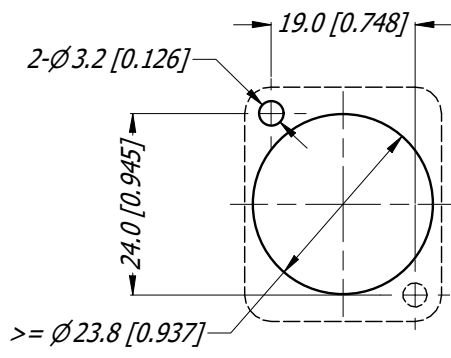
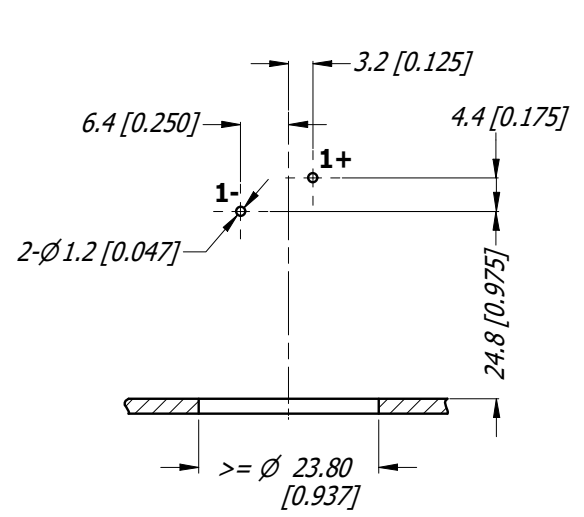
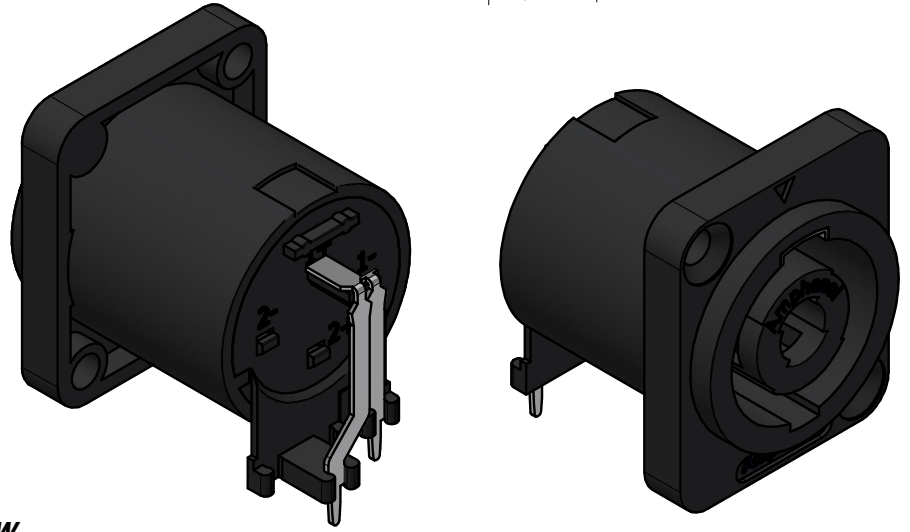
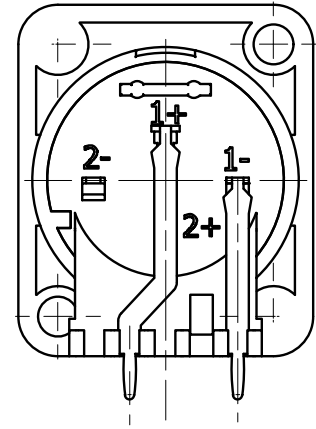
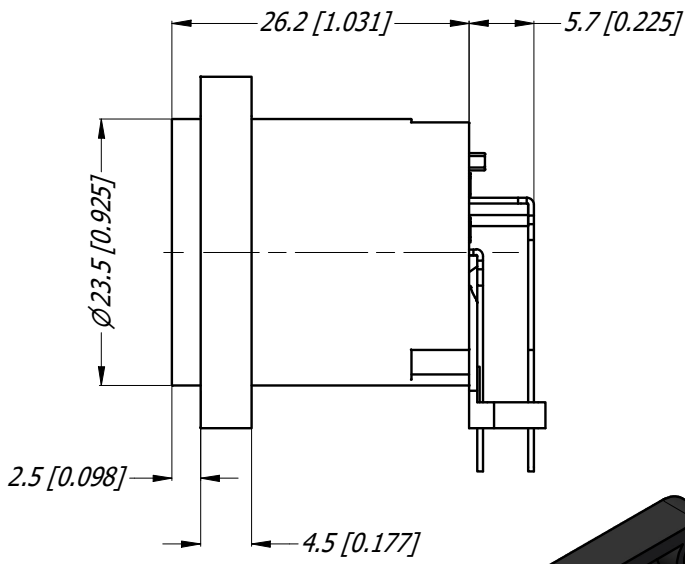
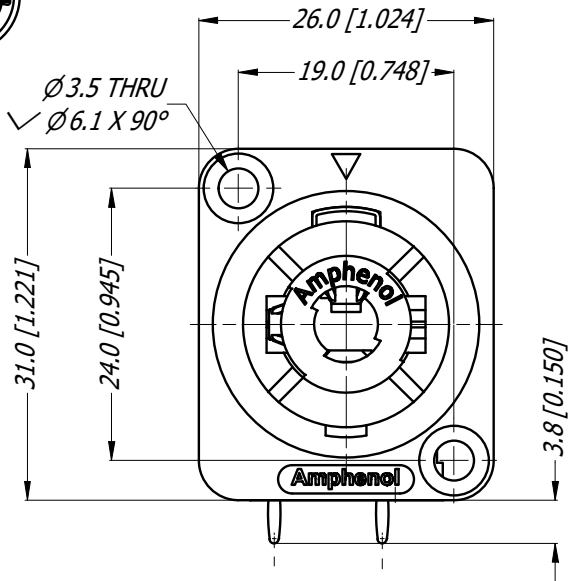


LEGEND  = KEY PRODUCT CHARACTERISTICS



REVISION HISTORY				
REV	DESCRIPTION	BY	DATE	ECN
0	FIRST ISSUE	H.H	14-02-11	8990
1	ADD Amphenol LOGO TO CENTRE FACE	MH	10-10-22	9707



PANEL CUTOUT (1:1)

3D VIEW

PCB LAYOUT (1:1)

UNLESS OTHERWISE SPECIFIED TOLERANCE TO BE		THIS DOCUMENT IS THE PROPERTY OF AMPHENOL AUSTRALIA PTY. LTD. NO PART THEREOF MAY BE REPRODUCED AND USED WITHOUT THE PRIOR WRITTEN CONSENT OF THE OWNER			
LINEAR	ANGULAR	MATERIAL:	DRN:	DATE:	TITLE: <b>SP SERIES CONNECTOR LOUDSPEAKER 2 POLE, HORIZONTAL PCB</b>
X ± 0.5 X.X ± 0.1 X.XX ± 0.05	X° ± 1 X.X° ± 30° X.XX° ± 15°	<b>REFER TO COMPONENTS</b>	HH	14-02-11	
DO NOT SCALE		FINISH:	CKD:	DATE:	PART No. <b>SP-2-MDH</b>
BREAK ALL SHARP EDGES AND REMOVE ALL BURRS			TN	10-10-22	
DIMENSIONS IN MILLIMETRES		APP'D:	PM	DATE:	DRAWING No.
THIRD ANGLE PROJECTION		SCALE:	<b>3:2</b>	SIZE:	<b>55010736-000-2</b>
					SHEET
					<b>1/2</b>

<b>Amphenol</b>		Amphenol Australia Pty.Ltd, 22 Industry Blvd, Carrum Downs, VIC 3201	
CAD FILE: 55010736000210			