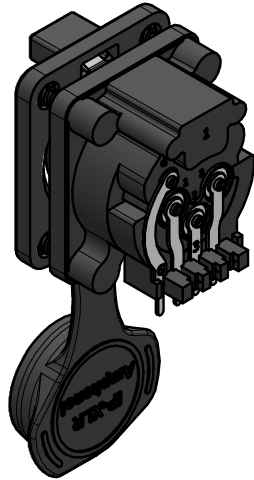
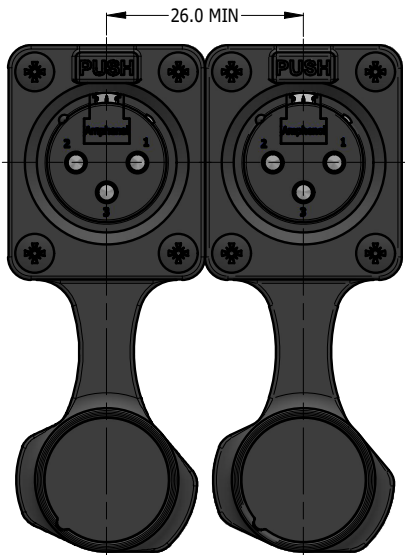
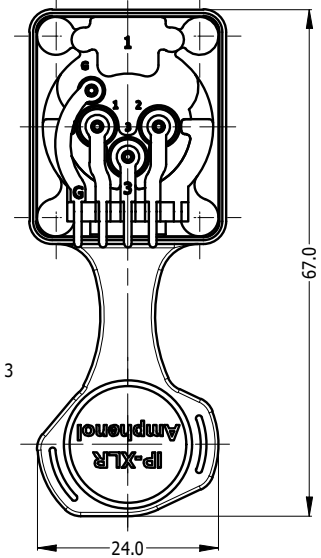
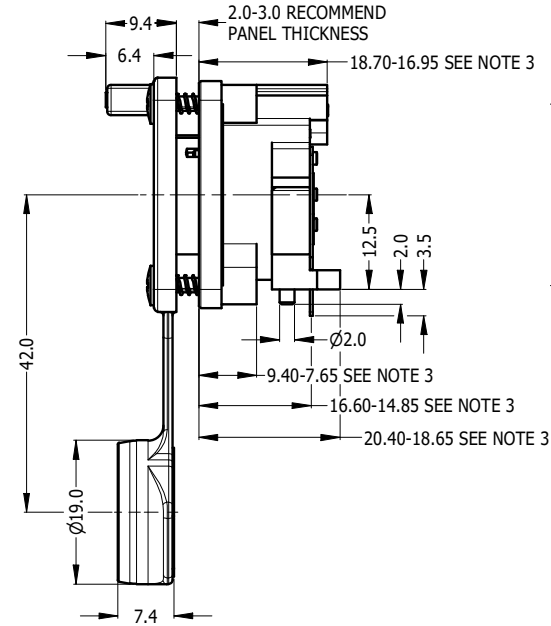
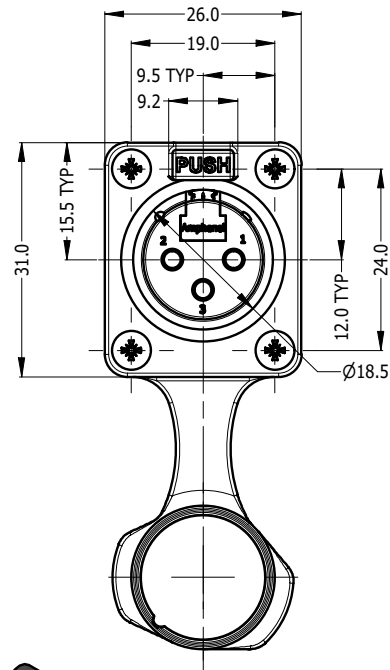




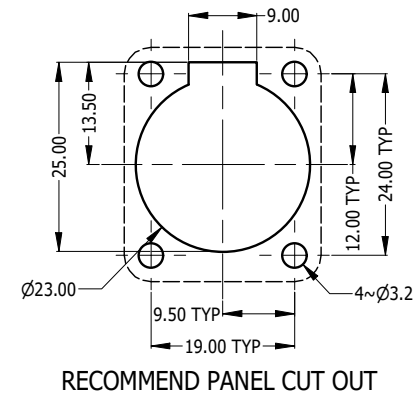
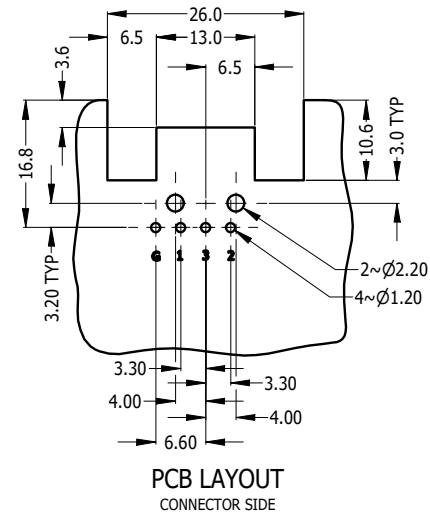
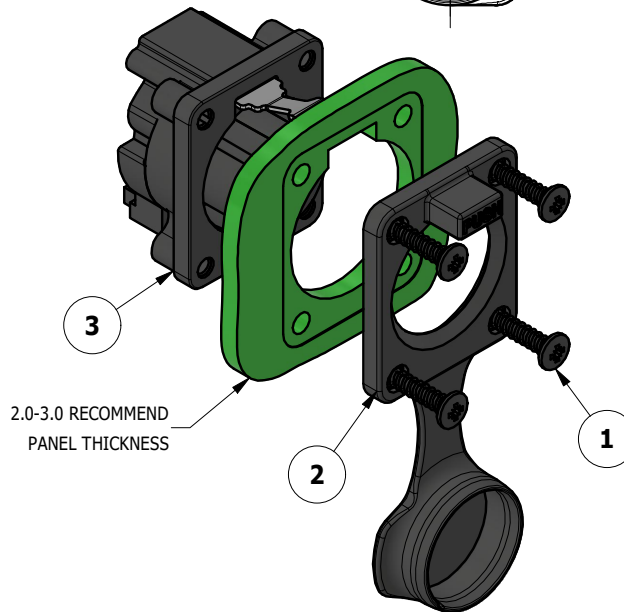
CAPPED VIEW



REAR VIEW



RECOMMEND MINIMUM MOUNTING PITCH



PART NUMBER	CONTACT FINISH
AXS3FP2H	TIN PLATED
AXS3FP2H-AU	GOLD PLATED

NOTE:  
 1. MATING CONNECTOR SHELL TO HAVE MIN 1.6 SURFACE FINISH TO ACHIEVE IP RATING OF THIS CONNECTOR.  
 2. BLACK MOUNTING SCREW 52500011-430 x 4 PCS TO BE SUPPLIED WITH THE CONNECTOR, MAX TORQUE 0.5Nm.  
 3. DUE TO 0.4mm THICK RUBBER SEAL, THE DIM WILL VARY DEPENDING ON THE SCREWS TIGHTENING IN ASSEMBLY.

ITEM	PART NUMBER	DESCRIPTION	QTY
3	55011488-023/923	AXS3FP2H WITHOUT RUBBER FLANGE - TIN/GOLD PLATED CONTACT	1
2	52730032-000	AXS OVERMOLDED RUBBER FLANGE BLACK	1
1	52500011-430	SELF TAPPING SCREW 2.9 x 1.06mm BLACK	4

UNLESS OTHERWISE SPECIFIED TOLERANCE TO BE	
LINEAR	ANGULAR
X ± 0.5	X' ± 1
X.X ± 0.2	X.X' ± 30'
X.XX ± 0.1	X.XX" ± 15'

BREAK ALL SHARP EDGES AND REMOVE ALL BURRS

DO NOT SCALE

THIS DOCUMENT IS THE PROPERTY OF AMPHENOL AUSTRALIA PTY. LTD.  
 NO PART THEREOF MAY BE REPRODUCED AND USED WITHOUT THE PRIOR WRITTEN CONSENT OF THE OWNER

MATERIAL: **SEE COMPONENT**  
 FINISH: **SEE COMPONENT**

DRN: M.H DATE: 15-05-23  
 CKD: M.H DATE: 10-05-24  
 APP'D: P.M DATE: 10-05-24  
 SCALE: **1:1** SIZE: **A4**

**Amphenol** Amphenol Australia Pty.Ltd,  
 22 Industry Blvd, Carrum Downs, VIC 3201

TITLE:  
**AXS3FP2H  
 AXS PANEL MOUNT SERIES  
 CUSTOMER DRAWING**

PART No.  
**SEE TABLE**  
 DRAWING No.  
**55011488-823-2** SHEET  
**2/2**