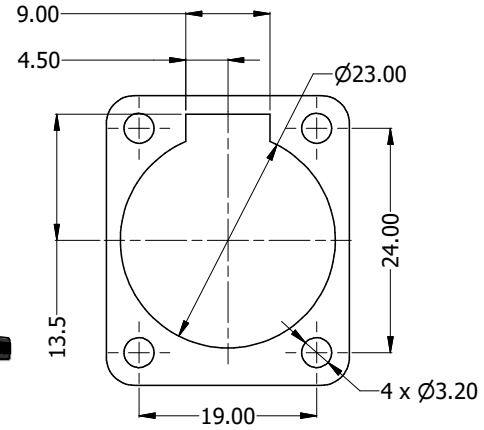
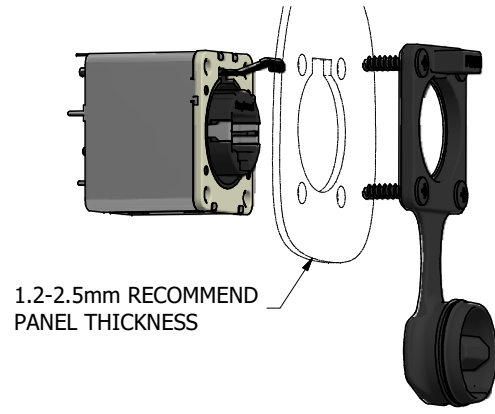
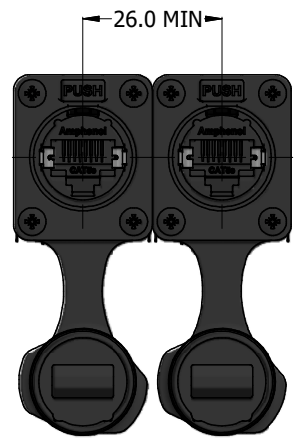


PCB LAYOUT
(CONNECTOR REAR VIEW)

- RJ45 CONTACTS
- RJ45 SHELL GROUND CONTACT
- SHIELD BOX LEGS
- CONNECTOR LOCATION PINS



PANEL CUT-OUT



RECOMMEND MINIMUM MOUNTING PITCH

RJXS8FP5VPE

SERIES PREFIX _____
 CONTACT LAYOUT (RJ45 STYLE) _____
 GENDER _____
 FOUR HOLE RECEPTACLE HOUSING IP65, WITH CAP (BLACK) _____
 TRANSMISSION CLASS (CAT5e) _____
 VERTICAL MOUNT (PCB THRU HOLE) _____
 POTTED _____
 WITH EMI/RFI SHIELD _____



UNLESS OTHERWISE SPECIFIED TOLERANCE TO BE:		THIS DOCUMENT IS THE PROPERTY OF AMPHENOL AUSTRALIA PTY. LTD. NO PART THEREOF MAY BE REPRODUCED AND USED WITHOUT THE PRIOR WRITTEN CONSENT OF THE OWNER		Amphenol Australia Pty. Ltd. 22 Industry Blvd Carrum Downs, VIC 3201	
LINEAR	ANGULAR	MATERIAL:	DRN: J.W	DATE: 30/12/2024	TITLE: XLRnet, VERT, IP65, POTTED, SHIELDED, W/CAP, PANEL THICKNESS 1.2-2.5
X.X ±10	X° ±1	SEE COMPONENTS	CKD: P.M	DATE: 30/12/2024	PART No: RJXS8FP5VPE
X.XX ±5	X'X' ±20'	DO NOT SCALE	APPD: P.M	DATE: 30/12/2024	REV 1
X.XX ±1	X'X'X' ±15'	FINISH: SEE COMPONENTS	SCALE: NTS	SIZE: A3	DRAWING No. 55011419-000-1
DIMENSIONS IN MILLIMETRES		THIRD ANGLE PROJECTION		SHEET 2/3	