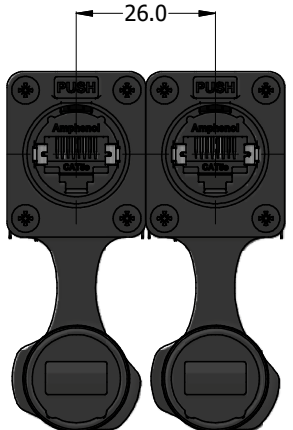
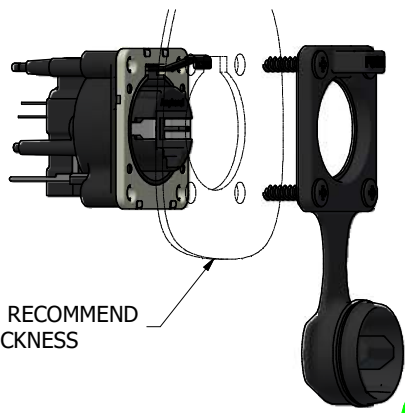


**PCB LAYOUT
(CONNECTOR REAR VIEW)**

- RJ45 CONTACTS
- RJ45 SHELL GROUND CONTACT
- CONNECTOR LOCATION PINS



1.2-2.5mm RECOMMEND
PANEL THICKNESS



PANEL CUT-OUT

RJXS8FP5VP

SERIES PREFIX _____
 CONTACT LAYOUT (RJ45 STYLE) _____
 GENDER _____
 FOUR HOLE RECEPTACLE HOUSING IP65, WITH CAP (BLACK) _____
 TRANSMISSION CLASS (CAT5e) _____
 VERTICAL MOUNT (PCB THRU HOLE) _____
 POTTED _____

RECOMMEND MINIMUM MOUNTING PITCH



| | | | | | | | |
|---|------------|---|-------------------|------------------------|--|---|------------------|
| UNLESS OTHERWISE SPECIFIED TOLERANCE TO BE: | | THIS DOCUMENT IS THE PROPERTY OF AMPHENOL AUSTRALIA PTY. LTD. NO PART THEREOF MAY BE REPRODUCED AND USED WITHOUT THE PRIOR WRITTEN CONSENT OF THE OWNER | | | | Amphenol Amphenol Australia Pty.Ltd, 22 Industry Blvd Carrum Downs, VIC 3201 | |
| LINEAR | ANGULAR | MATERIAL: | DRN: J.W | DATE: 30/11/2023 | TITLE: XLRnet, VERT, IP65, POTTED, UNSHIELDED, W/CAP, PANEL | PART No: RJXS8FP5VP | REV 1 |
| X.X ±0.10 | X° ±1 | SEE COMPONENTS | CKD: P.M | DATE: 30/11/2023 | THICKNESS 1.2-2.5 | DRAWING No. 55011419-100-1 | SHEET 2/3 |
| X.XX ±0.05 | X'X' ±30' | DO NOT SCALE | APPD: P.M | DATE: 30/11/2023 | | | |
| X.XX ±1 | X'XX' ±15' | FINISH: SEE COMPONENTS | SCALE: NTS | SIZE: A3 | | | |
| BREAK ALL SHARP EDGES AND REMOVE ALL BURRS | | DIMENSIONS IN MILLIMETRES | | THIRD ANGLE PROJECTION | | | |