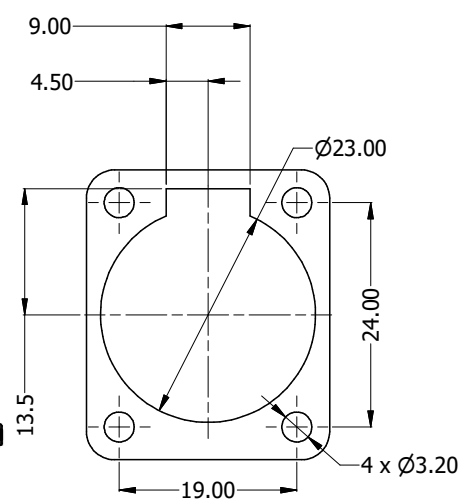
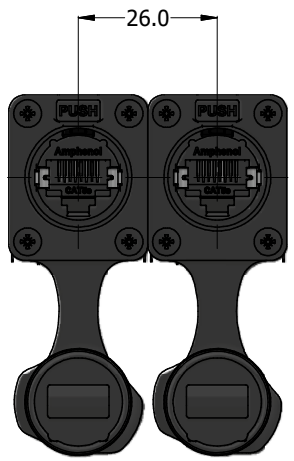


**PCB LAYOUT
(CONNECTOR REAR VIEW)**

- RJ45 CONTACTS
- RJ45 SHELL GROUND CONTACT
- CONNECTOR LOCATION PINS

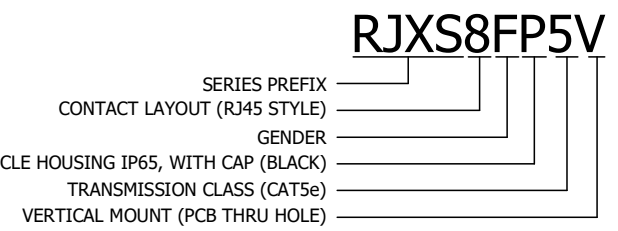
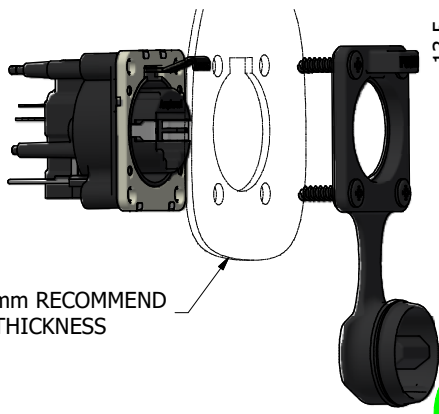


PANEL CUT-OUT



RECOMMEND MINIMUM MOUNTING PITCH

1.2-2.5mm RECOMMEND
PANEL THICKNESS



UNLESS OTHERWISE SPECIFIED TOLERANCE TO BE:		THIS DOCUMENT IS THE PROPERTY OF AMPHENOL AUSTRALIA PTY. LTD. NO PART THEREOF MAY BE REPRODUCED AND USED WITHOUT THE PRIOR WRITTEN CONSENT OF THE OWNER		Amphenol Amphenol Australia Pty.Ltd, 22 Industry Blvd Carrum Downs, VIC 3201	
LINEAR	ANGULAR	MATERIAL:	DRN: J.W	DATE: 30/11/2023	TITLE: XLRnet PANEL MOUNT, VERT, IP65, W/CAP, PANEL THICKNESS 1.2-2.5
X.X ±10	X° ±1	SEE COMPONENTS	CKD: P.M	DATE: 30/11/2023	PART No: RJXS8FP5V
X.XX ±5	X'X' ±30'	DO NOT SCALE	APPD: P.M	DATE: 30/11/2023	REV 1
X.XX ±1	X'XX' ±15'	FINISH: SEE COMPONENTS	SCALE: NTS	SIZE: A3	DRAWING No. 55011419-200-1
DIMENSIONS IN MILLIMETRES		THIRD ANGLE PROJECTION		SHEET 2/2	