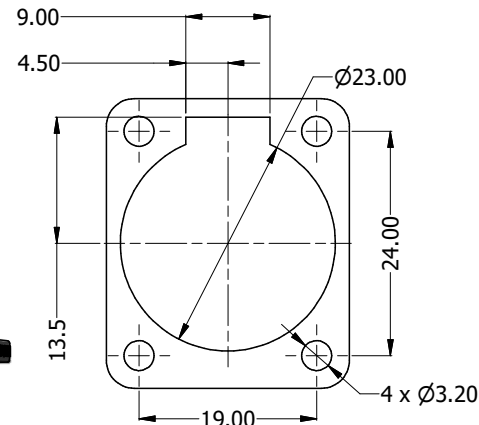
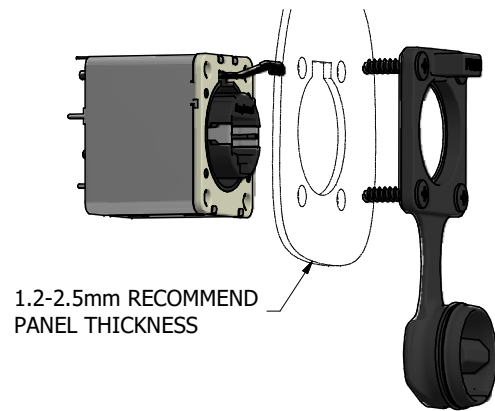
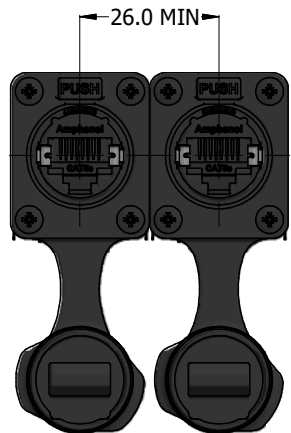


PCB LAYOUT
(CONNECTOR REAR VIEW)

- RJ45 CONTACTS
- RJ45 SHELL GROUND CONTACT
- SHIELD BOX LEGS
- CONNECTOR LOCATION PINS



PANEL CUT-OUT



1.2-2.5mm RECOMMEND
PANEL THICKNESS

RJXS8FP5VE

- SERIES PREFIX
- CONTACT LAYOUT (RJ45 STYLE)
- GENDER
- FOUR HOLE RECEPTACLE HOUSING IP65, WITH CAP (BLACK)
- TRANSMISSION CLASS (CAT5e)
- VERTICAL MOUNT (PCB THRU HOLE)
- WITH EMI/RFI SHIELD

RECOMMEND MINIMUM MOUNTING PITCH



UNLESS OTHERWISE SPECIFIED TOLERANCE TO BE:		THIS DOCUMENT IS THE PROPERTY OF AMPHENOL AUSTRALIA PTY. LTD. NO PART THEREOF MAY BE REPRODUCED AND USED WITHOUT THE PRIOR WRITTEN CONSENT OF THE OWNER		Amphenol Amphenol Australia Pty. Ltd. 22 Industry Blvd Carrum Downs, VIC 3201	
LINEAR	ANGULAR	MATERIAL: SEE COMPONENTS	DRN: J.W	DATE: 30/12/2024	TITLE: XLRnet, VERT, IP65, SHIELDED, W/CAP, PANEL THICKNESS 1.2-2.5
X.X ±10	X° ±1	FINISH: SEE COMPONENTS	CKD: P.M	DATE: 30/12/2024	PART No: RJXS8FP5VE
X.XX ±5	X'X' ±20'	DO NOT SCALE	APPD: P.M	DATE: 30/12/2024	REV 1
X.XX ±1	X'XX' ±15'	DIMENSIONS IN MILLIMETRES	SCALE: NTS	SIZE: A3	DRAWING No. 55011419-300-1
BREAK ALL SHARP EDGES AND REMOVE ALL BURRS		THIRD ANGLE PROJECTION		SHEET 2/2	