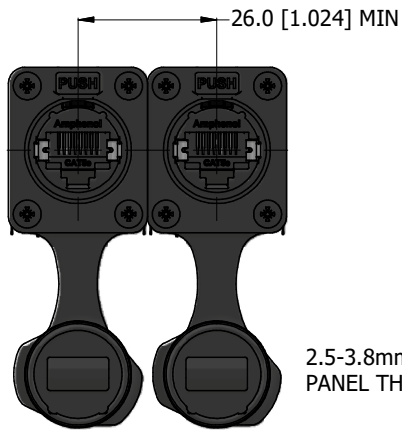


**PCB LAYOUT
(CONNECTOR TOP VIEW)**

- RJ45 CONTACTS
- RJ45 SHELL GROUND CONTACT
- SHIELD BOX LEGS
- CONNECTOR LOCATION PINS

PANEL CUT OUT



2.5-3.8mm RECOMMEND
PANEL THICKNESS

RECOMMEND MINIMUM MOUNTING PITCH

RJXS8FP15HPE

- SERIES PREFIX
- CONTACT LAYOUT (RJ45 STYLE)
- GENDER
- THERMOPLASTIC 2.5mm to 3.8mm WITH CAP
- TRANSMISSION CLASS (CAT5e)
- HORIZONTAL MOUNT (PCB THRU HOLE)
- POTTED
- WITH EMI/RFI SHIELD



UNLESS OTHERWISE SPECIFIED
TOLERANCE TO BE:

LINEAR	ANGULAR
X.X ±0.10	X° ±1
X.XX ±0.05	X°X' ±30'
X.XXX ±1	X°XX' ±15'

BREAK ALL SHARP EDGES
AND REMOVE ALL BURRS

DO NOT SCALE

DIMENSIONS IN MILLIMETRES

THIS DOCUMENT IS THE PROPERTY OF AMPHENOL AUSTRALIA PTY. LTD.
NO PART THEREOF MAY BE REPRODUCED AND USED
WITHOUT THE PRIOR WRITTEN CONSENT OF THE OWNER

MATERIAL: SEE COMPONENTS	DRN: J.W	DATE: 24/12/2024
FINISH: SEE COMPONENTS	CKD: P.M.	DATE: 24/12/2024
	APPD: P.M.	DATE: 24/12/2024
SCALE: NTS	SIZE: A3	

Amphenol
TITLE: **XLNet, HORZ, IP65,
POTTED, SHIELDED,
W/CAP, PANEL
THICKNESS 2.5-3.8**

Amphenol Australia Pty. Ltd.
22 Industry Blvd Carrum Downs, VIC 3201

PART No: RJXS8FP15HPE	REV 1
DRAWING No. 55011538-000-1	SHEET 2/2