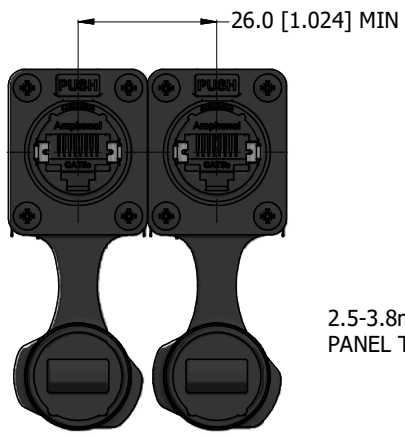
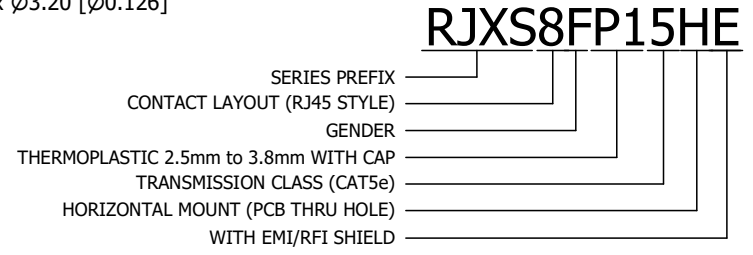


**PCB LAYOUT
(CONNECTOR TOP VIEW)**

- RJ45 CONTACTS
- RJ45 SHELL GROUND CONTACT
- SHIELD BOX LEGS
- CONNECTOR LOCATION PINS

PANEL CUT OUT



2.5-3.8mm RECOMMEND
PANEL THICKNESS



UNLESS OTHERWISE SPECIFIED TOLERANCE TO BE:		THIS DOCUMENT IS THE PROPERTY OF AMPHENOL AUSTRALIA PTY. LTD. NO PART THEREOF MAY BE REPRODUCED AND USED WITHOUT THE PRIOR WRITTEN CONSENT OF THE OWNER				Amphenol Amphenol Australia Pty. Ltd. 22 Industry Blvd Carrum Downs, VIC 3201	
LINEAR	ANGULAR	MATERIAL:	DRN:	J.W	DATE:	24/12/2024	TITLE:
X.X ±5	X° ±1	SEE COMPONENTS	CKD:	P.M.	DATE:	24/12/2024	XLNet, HORZ, IP65, SHIELDED, W/CAP, PANEL THICKNESS 2.5-3.8
X.XX ±1	X°XX' ±15'	DO NOT SCALE	APPD:	P.M.	DATE:	24/12/2024	PART No:
DIMENSIONS IN MILLIMETRES		FINISH: SEE COMPONENTS	SCALE:	NTS	SIZE:	A3	RJXS8FP15HE
		THIRD ANGLE PROJECTION				DRAWING No.	
						55011538-300-1	
						REV	
						1	
						SHEET	
						2/2	