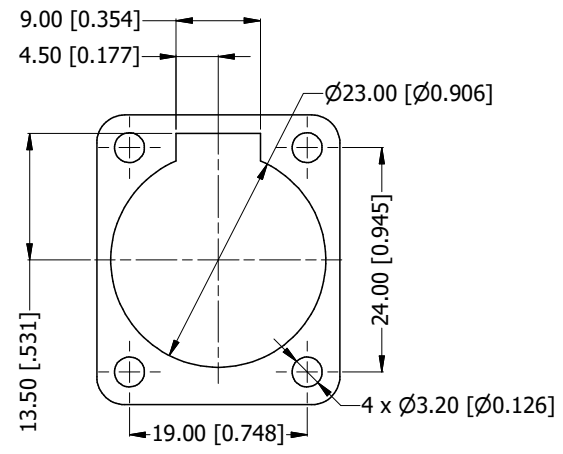
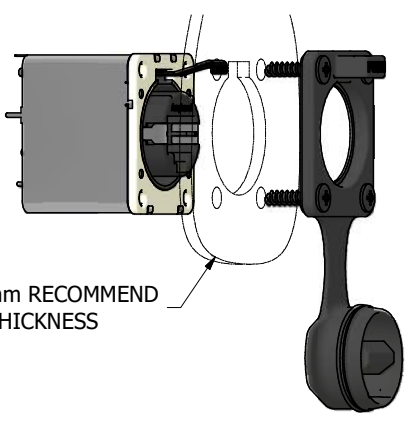
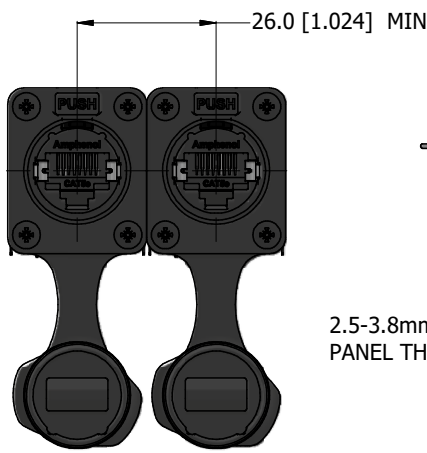


**PCB LAYOUT**  
(CONNECTOR REAR VIEW)

- RJ45 CONTACTS
- RJ45 SHELL GROUND CONTACT
- SHIELD BOX LEGS
- CONNECTOR LOCATION PINS



**PANEL CUT OUT**



**RJXS8FP15VPE**

- SERIES PREFIX
- CONTACT LAYOUT (RJ45 STYLE)
- GENDER
- THERMOPLASTIC 2.5mm to 3.8mm WITH CAP
- TRANSMISSION CLASS (CAT5e)
- VERTICAL MOUNT (PCB THRU HOLE)
- POTTED
- WITH EMI/RFI SHIELD



UNLESS OTHERWISE SPECIFIED TOLERANCE TO BE:		THIS DOCUMENT IS THE PROPERTY OF AMPHENOL AUSTRALIA PTY. LTD. NO PART THEREOF MAY BE REPRODUCED AND USED WITHOUT THE PRIOR WRITTEN CONSENT OF THE OWNER		<b>Amphenol</b> Amphenol Australia Pty.Ltd, 22 Industry Blvd Carrum Downs, VIC 3201	
LINEAR	ANGULAR	MATERIAL:	DRN: J.W	DATE: 30/12/2024	TITLE:
X.X ±10	X° ±1	SEE COMPONENTS	CKD: P.M.	DATE: 30/12/2024	<b>XLrnet, VERT, IP65, POTTED, SHIELDED, W/CAP, PANEL THICKNESS 2.5-3.8</b>
X.XX ±5	X'X' ±30'		APPD: P.M.	DATE: 30/12/2024	
X.XX ±1	X'X'X' ±15'	DO NOT SCALE	FINISH: SEE COMPONENTS	SCALE: NTS	SIZE: A3
BREAK ALL SHARP EDGES AND REMOVE ALL BURRS		DIMENSIONS IN MILLIMETRES		THIRD ANGLE PROJECTION	
PART No:		REV		DRAWING No.	
55011540-000-1		1		2/2	

**RECOMMEND MINIMUM MOUNTING PITCH**