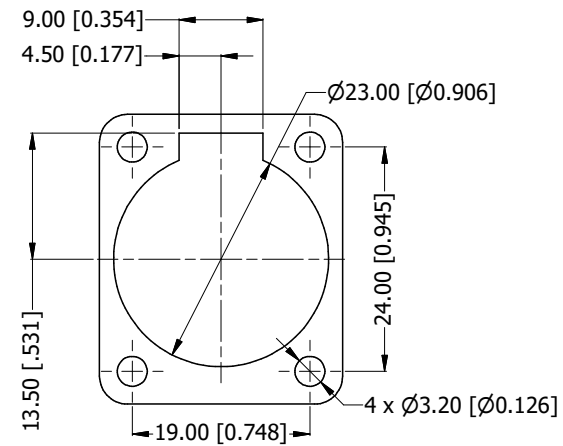
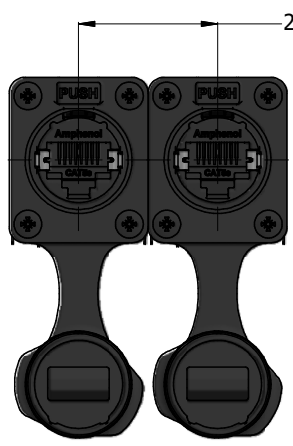


**PCB LAYOUT
(CONNECTOR REAR VIEW)**

- RJ45 CONTACTS
- RJ45 SHELL GROUND CONTACT
- CONNECTOR LOCATION PINS



PANEL CUT OUT



2.5-3.8mm RECOMMEND
PANEL THICKNESS

RECOMMEND MINIMUM MOUNTING PITCH

RJXS8FP15VP

- SERIES PREFIX
- CONTACT LAYOUT (RJ45 STYLE)
- GENDER
- THERMOPLASTIC 2.5mm to 3.8mm WITH CAP
- TRANSMISSION CLASS (CAT5e)
- HORIZONTAL MOUNT (PCB THRU HOLE)
- POTTED



UNLESS OTHERWISE SPECIFIED TOLERANCE TO BE:		THIS DOCUMENT IS THE PROPERTY OF AMPHENOL AUSTRALIA PTY. LTD. NO PART THEREOF MAY BE REPRODUCED AND USED WITHOUT THE PRIOR WRITTEN CONSENT OF THE OWNER				Amphenol Amphenol Australia Pty. Ltd. 22 Industry Blvd Carrum Downs, VIC 3201		
LINEAR	ANGULAR	MATERIAL:	DRN: J.W	DATE: 30/11/2023	TITLE: XLRnet, VERTL, IP65, POTTED, UNSHIELDED, W/CAP, PANEL		PART No: RJXS8FH5VP	REV 1
X.X ±10	X° ±1	SEE COMPONENTS	CKD: P.M.	DATE: 30/11/2023	DRAWING No. 55011540-100-1		SHEET 1	
X.XX ±5	X'X' ±30'		APPD: P.M.	DATE: 30/11/2023	THICKNESS 2.5-3.8		2/2	
X.XX ±1	X'X'X' ±15'	DO NOT SCALE	FINISH: SEE COMPONENTS	SCALE: NTS	SIZE: A3			
DIMENSIONS IN MILLIMETRES		THIRD ANGLE PROJECTION						