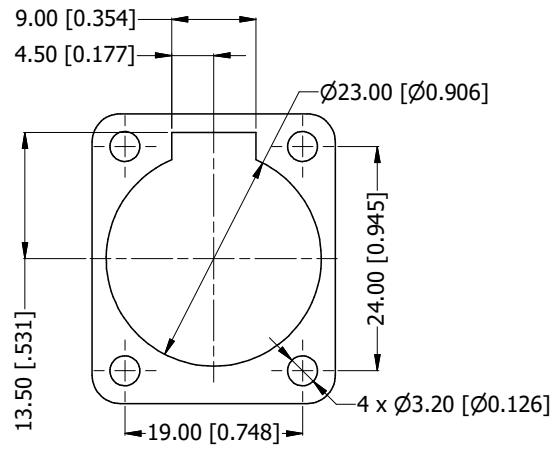
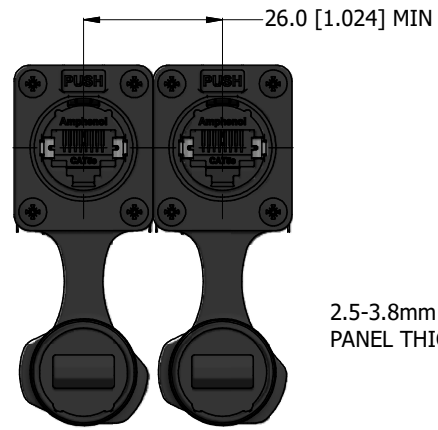


**PCB LAYOUT
(CONNECTOR REAR VIEW)**

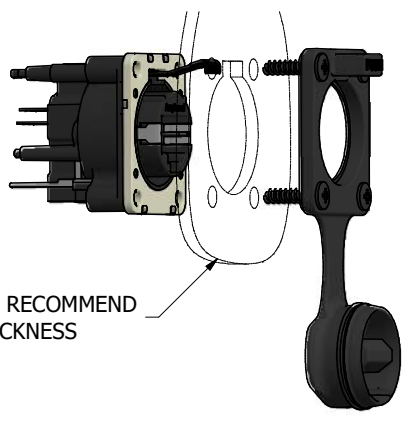
- RJ45 CONTACTS
- RJ45 SHELL GROUND CONTACT
- CONNECTOR LOCATION PINS



PANEL CUT OUT



RECOMMEND MINIMUM MOUNTING PITCH



**2.5-3.8mm RECOMMEND
PANEL THICKNESS**

RJXS8FP15V

- SERIES PREFIX _____
- CONTACT LAYOUT (RJ45 STYLE) _____
- GENDER _____
- THERMOPLASTIC 2.5mm to 3.8mm WITH CAP _____
- TRANSMISSION CLASS (CAT5e) _____
- HORIZONTAL MOUNT (PCB THRU HOLE) _____



UNLESS OTHERWISE SPECIFIED TOLERANCE TO BE:		THIS DOCUMENT IS THE PROPERTY OF AMPHENOL AUSTRALIA PTY. LTD. NO PART THEREOF MAY BE REPRODUCED AND USED WITHOUT THE PRIOR WRITTEN CONSENT OF THE OWNER		Amphenol Amphenol Australia Pty.Ltd, 22 Industry Blvd Carrum Downs, VIC 3201	
LINEAR	ANGULAR	MATERIAL:	DRN: J.W	DATE: 30/11/2023	TITLE: XLRnet PANEL MOUNT, VERT, IP65, W/CAP, PANEL THICKNESS 2.5-3.8
X.X ±10	X° ±1	SEE COMPONENTS	CKD: P.M.	DATE: 30/11/2023	PART No: RJXS8FH5V
X.XX ±5	X'X' ±30'	DO NOT SCALE	APPD: P.M.	DATE: 30/11/2023	REV 1
X.XX ±1	X'XX' ±15'	FINISH: SEE COMPONENTS	SCALE: NTS	SIZE: A3	DRAWING No: 55011540-200-1
DIMENSIONS IN MILLIMETRES		THIRD ANGLE PROJECTION		SHEET 2/2	