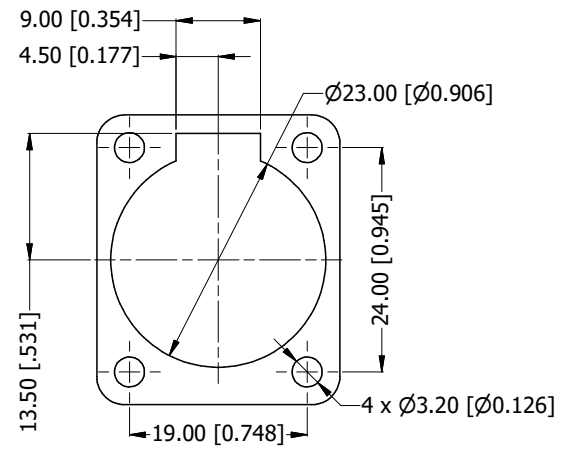
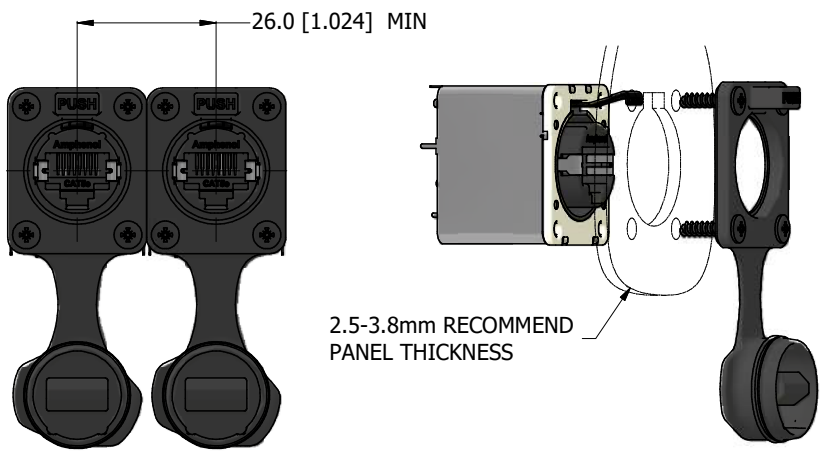


PCB LAYOUT
(CONNECTOR REAR VIEW)

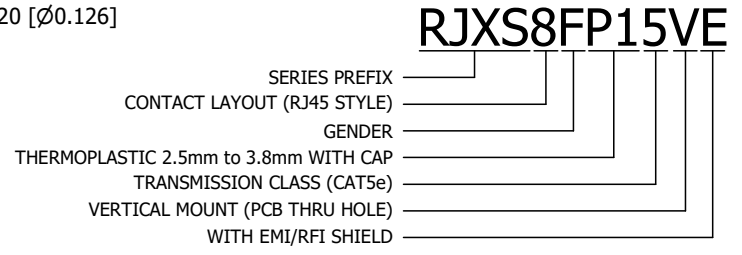
- RJ45 CONTACTS
- RJ45 SHELL GROUND CONTACT
- SHIELD BOX LEGS
- CONNECTOR LOCATION PINS



PANEL CUT OUT



RECOMMEND MINIMUM MOUNTING PITCH



UNLESS OTHERWISE SPECIFIED TOLERANCE TO BE:		THIS DOCUMENT IS THE PROPERTY OF AMPHENOL AUSTRALIA PTY. LTD. NO PART THEREOF MAY BE REPRODUCED AND USED WITHOUT THE PRIOR WRITTEN CONSENT OF THE OWNER				Amphenol Amphenol Australia Pty.Ltd, 22 Industry Blvd Carrum Downs, VIC 3201		
LINEAR	ANGULAR	MATERIAL:	DRN:	J.W	DATE:	30/12/2024	TITLE:	
X.X ±10	X° ±1	SEE COMPONENTS	CKD:	P.M.	DATE:	30/12/2024	XLrnet, VERT, IP65, SHIELDED, W/CAP, PANEL THICKNESS 2.5-3.8	
X.XX ±5	X'X' ±30'		APPD:	P.M.	DATE:	30/12/2024	RJXS8FP15VE	
X.XX ±1	X'X'X' ±15'	DO NOT SCALE	FINISH:	SEE COMPONENTS	SCALE:	NTS	SIZE:	
DIMENSIONS IN MILLIMETRES		THIRD ANGLE PROJECTION		SCALE:	NTS	SIZE:	A3	
							PART No:	REV
							RJXS8FP15VE	1
							DRAWING No.	SHEET
							55011540-300-1	2/2