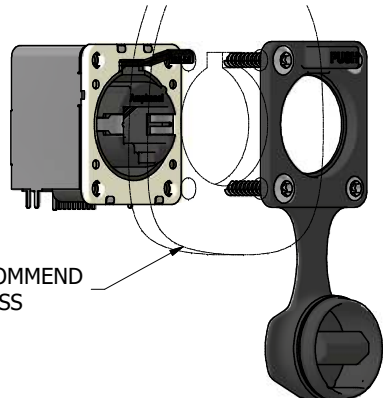
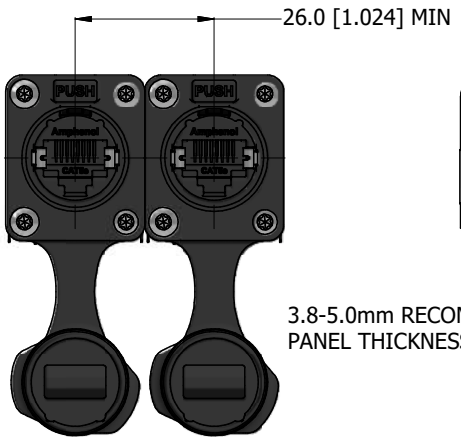


**PCB LAYOUT
(CONNECTOR TOP VIEW)**

- RJ45 CONTACTS
- RJ45 SHELL GROUND CONTACT
- SHIELD BOX LEGS
- CONNECTOR LOCATION PINS



PANEL CUT OUT

RJXS8FP25HE

- SERIES PREFIX
- CONTACT LAYOUT (RJ45 STYLE)
- GENDER
- THERMOPLASTIC 3.8mm to 5.0mm WITH CAP
- TRANSMISSION CLASS (CAT5e)
- HORIZONTAL MOUNT (PCB THRU HOLE)
- WITH EMI/RFI SHIELD

RECOMMEND MINIMUM MOUNTING PITCH



UNLESS OTHERWISE SPECIFIED TOLERANCE TO BE:		THIS DOCUMENT IS THE PROPERTY OF AMPHENOL AUSTRALIA PTY. LTD. NO PART THEREOF MAY BE REPRODUCED AND USED WITHOUT THE PRIOR WRITTEN CONSENT OF THE OWNER		Amphenol Australia Pty. Ltd. 22 Industry Blvd Carrum Downs, VIC 3201	
LINEAR	ANGULAR	MATERIAL:	DRN: J.W	DATE: 24/12/2024	Amphenol XLNet, HORZ, IP65, SHIELDED, W/ CAP, PANEL THICKNESS 3.8-5.0
X.X ±10	X° ±1	SEE COMPONENTS	CKD: P.M.	DATE: 24/12/2024	
X.XX ±5	X'X' ±30'	DO NOT SCALE	APPD: P.M.	DATE: 24/12/2024	PART No: RJXS8FP25HE
X.XX ±1	X'XX' ±15'	FINISH: SEE COMPONENTS	SCALE: NTS	SIZE: A3	DRAWING No: 55011542-300-1
BREAK ALL SHARP EDGES AND REMOVE ALL BURRS		DIMENSIONS IN MILLIMETRES		THIRD ANGLE PROJECTION	REV 1
SHEET 1		SHEET 2/2			