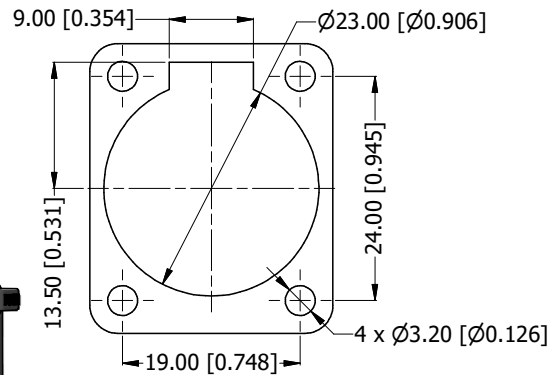
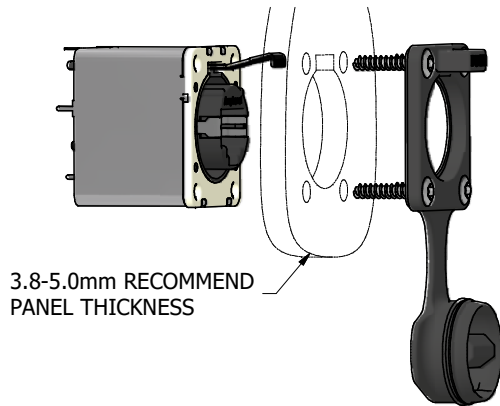
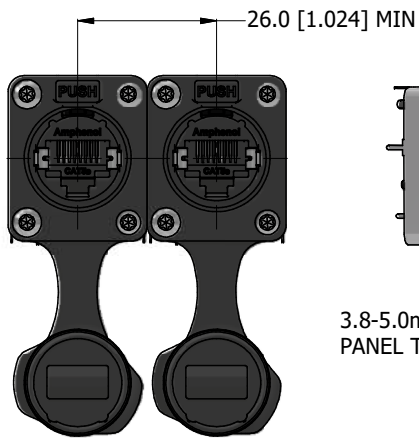


PCB LAYOUT
(CONNECTOR REAR VIEW)

- RJ45 CONTACTS
- RJ45 SHELL GROUND CONTACT
- SHIELD BOX LEGS
- CONNECTOR LOCATION PINS



PANEL CUT OUT

RJXS8FP25VPE

SERIES PREFIX
CONTACT LAYOUT (RJ45 STYLE)
GENDER
THERMOPLASTIC 3.8mm to 5.0mm WITH CAP
TRANSMISSION CLASS (CAT5e)
VERTICAL MOUNT (PCB THRU HOLE)
POTTED
WITH EMI/RFI SHIELD

RECOMMEND MINIMUM MOUNTING PITCH



UNLESS OTHERWISE SPECIFIED TOLERANCE TO BE:		THIS DOCUMENT IS THE PROPERTY OF AMPHENOL AUSTRALIA PTY. LTD. NO PART THEREOF MAY BE REPRODUCED AND USED WITHOUT THE PRIOR WRITTEN CONSENT OF THE OWNER		Amphenol Australia Pty. Ltd. 22 Industry Blvd Carrum Downs, VIC 3201	
LINEAR	ANGULAR	MATERIAL:	DRN: J.W	DATE: 30/12/2024	TITLE: XLRnet, VERT, IP65, POTTED, SHIELDED, W/CAP, PANEL THICKNESS 3.8-5.0
X.X ±5	X° ±1	SEE COMPONENTS	CKD: P.M.	DATE: 30/12/2024	PART No: RJXS8FP25VPE
X.XX ±1	X°XX' ±15'	DO NOT SCALE	APPD: P.M.	DATE: 30/12/2024	DRAWING No: 55011544-000-1
BREAK ALL SHARP EDGES AND REMOVE ALL BURRS		FINISH: SEE COMPONENTS	SCALE: NTS	SIZE: A3	REV 1 SHEET 2/2
DIMENSIONS IN MILLIMETRES		THIRD ANGLE PROJECTION			