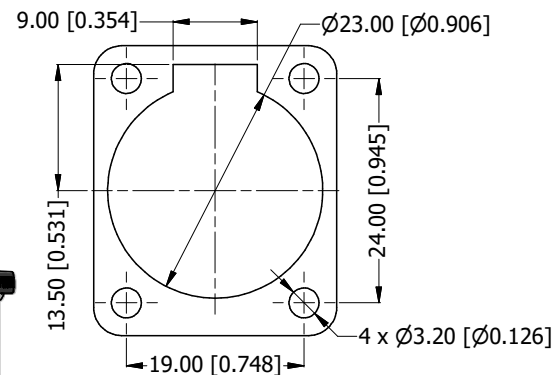
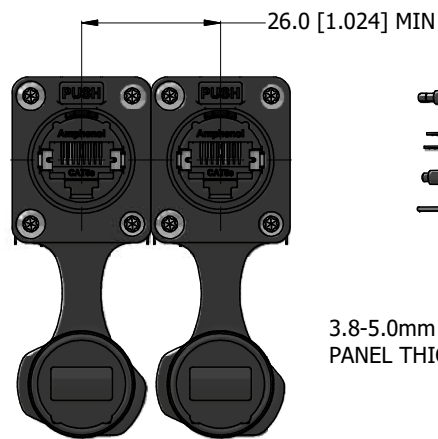


**PCB LAYOUT
(CONNECTOR REAR VIEW)**

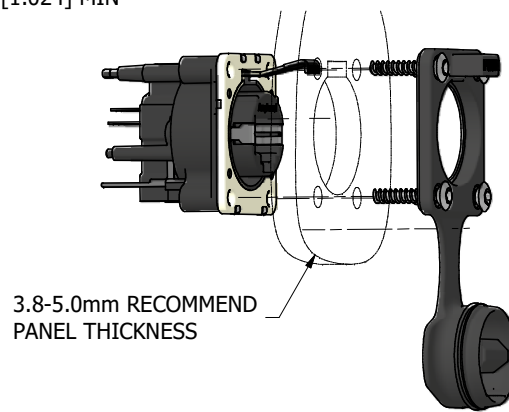
- RJ45 CONTACTS
- RJ45 SHELL GROUND CONTACT
- CONNECTOR LOCATION PINS



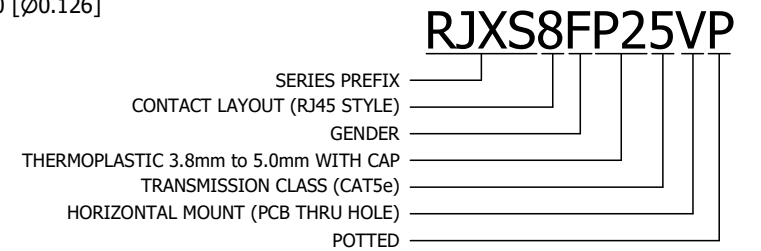
PANEL CUT OUT



RECOMMEND MINIMUM MOUNTING PITCH



3.8-5.0mm RECOMMEND
PANEL THICKNESS



UNLESS OTHERWISE SPECIFIED TOLERANCE TO BE:		THIS DOCUMENT IS THE PROPERTY OF AMPHENOL AUSTRALIA PTY. LTD. NO PART THEREOF MAY BE REPRODUCED AND USED WITHOUT THE PRIOR WRITTEN CONSENT OF THE OWNER		Amphenol Amphenol Australia Pty.Ltd, 22 Industry Blvd Carrum Downs, VIC 3201	
LINEAR	ANGULAR	MATERIAL:	DRN: J.W	DATE: 30/11/2023	TITLE: XLrnet,VERT,IP65, POTTED,UNSHIELDED, W/CAP, PANEL
X.X ±10	X° ±1	SEE COMPONENTS	CKD: P.M.	DATE: 30/11/2023	PART No: RJXS8FP25VP
X.XX ±5	X'X' ±30'	DO NOT SCALE	APP'D: P.M.	DATE: 30/11/2023	REV 1
X.XX ±1	X'X'X' ±15'	FINISH: SEE COMPONENTS	SCALE: NTS	SIZE: A3	DRAWING No. 55011544-100-1
BREAK ALL SHARP EDGES AND REMOVE ALL BURRS		DIMENSIONS IN MILLIMETRES		SHEET 2/2	